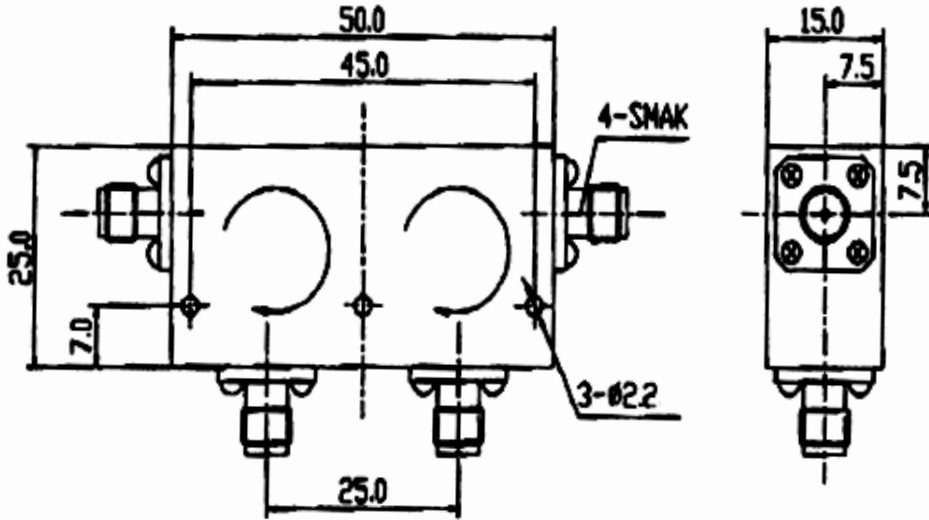
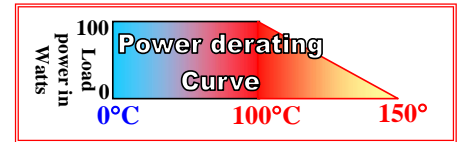


Double Junction Coaxial Circulator, 2.4-2.6GHz SMA Connector, 10 Watts RADCC-2.4-2.6-HE1-S23-10WR



Tolerance (unless otherwise stated):

Hole diameter	±0.004
Dimensions	±0.015
Machined surfaces	63√
Flatness	±0.001/inch
Bend radius	1/32 inch



Direction of RF:

R	Default	
L		

Units: mm
Not to scale

Order Examples: **RADCC-2.4-2.6-HE1-S23-10WR**
I=ISOLATOR / C=CIRCULATOR

N / SMA Connector options (X)				
Isolator			Circulator	
Port 1	Port 2		Port 3 Male	Port 3 Female
Female	Male	-1	-11	-21
Male	Female	-2	-12	-22
Female	Female	-3	-13	-23
Male	Male	-4	-14	-24

Specifications: Frequency GHz	Insertion loss dB (max)	Isolation dB (min)	VSWR :1	Power Fwd Watts	Power Rev Watts	Temp °C	Connector
2.4-2.6	0.6	50	1.2	10	10	Tba	SMA