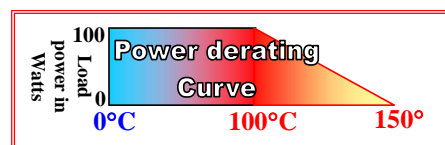
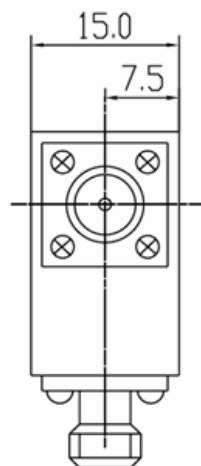
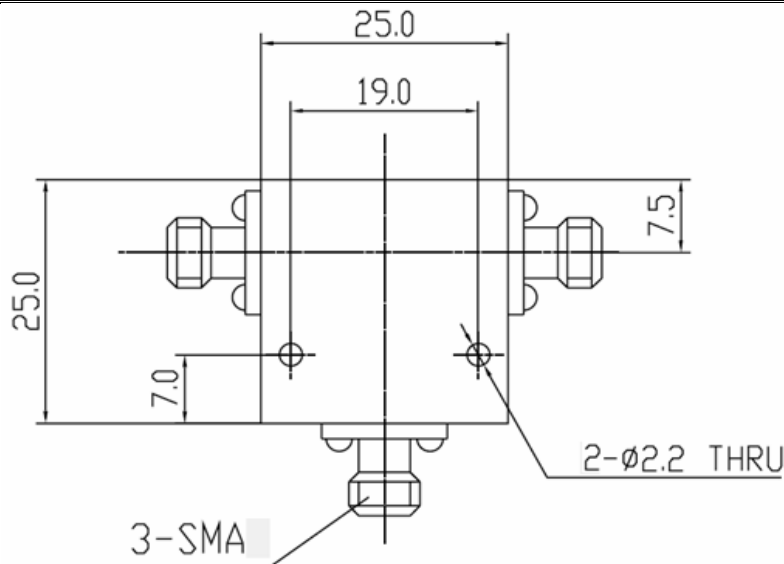


**Coaxial Circulator, 2.5-2.9 GHz
SMA Connector, 25 Watts, 250 Watts Peak
RADC-2.5-2.9-S23-25WR(250W Peak)**



Direction of RF:	
R	Default
L	

Units: mm
Not to scale

Order Examples: RADC-2.5-2.9-S23-25WR(250W(Peak))
I=ISOLATOR / C=CIRCULATOR

N / SMA Connector options (X)				
Isolator		Circulator		
Port 1	Port 2		Port 3 Male	Port 3 Female
Female	Male	-1	-11	-21
Male	Female	-2	-12	-22
Female	Female	-3	-13	-23
Male	Male	-4	-14	-24

Specifications: Frequency GHz	Insertion loss dB (max)	Isolation dB (min)	VSWR :1	Power Fwd Watts	Power Rev Watts	Power Peak Watts	Temp °C	Connector
2.5-2.9	0.5	18	1.30	25	25	250	-54 to +85	SMA