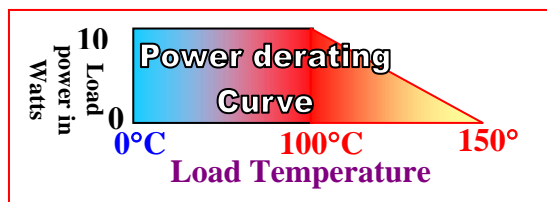
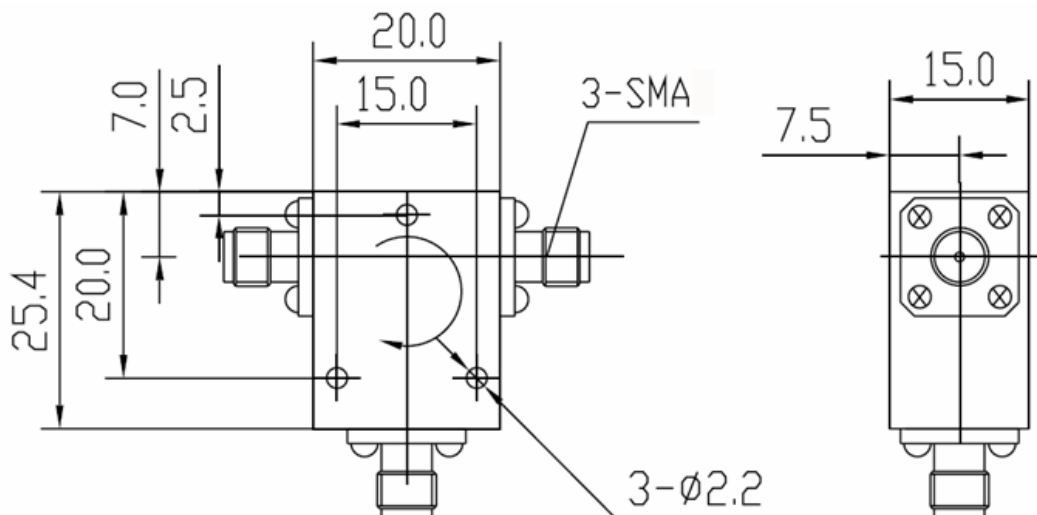


**Coaxial Circulator, 2.5-2.7GHz
SMA or N-Type Connector, 100 Watts
RADC-2.5-2.7-N23-100WR**



Direction of RF:		
R	Default	
L		

Units: mm
Not to scale

Order Examples: **RADC-2.5-2.7-N23-100WR**
I=ISOLATOR / C=CIRCULATOR

N / SMA Connector options (X)				
Isolator			Circulator	
Port 1	Port 2		Port 3 Male	Port 3 Female
Female	Male	-1	-11	-21
Male	Female	-2	-12	-22
Female	Female	-3	-13	-23
Male	Male	-4	-14	-24

Specifications: Frequency GHz	Insertion loss dB (max)	Isolation dB (min)	VSWR :1	Power Fwd Watts	Power Rev Watts	Temp °C	Connector
2.5-2.7	0.4	20	1.25	100	100	-35 to +75	N-Type