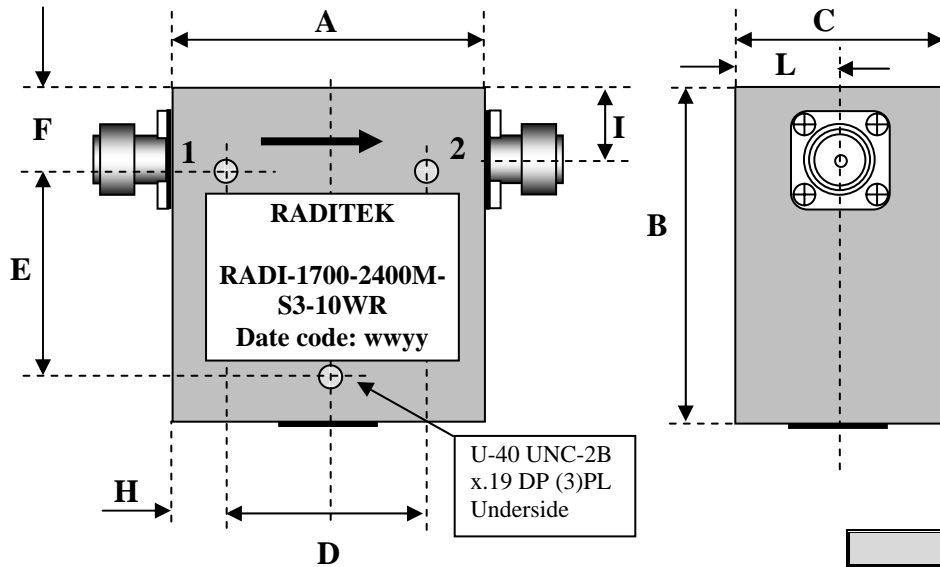
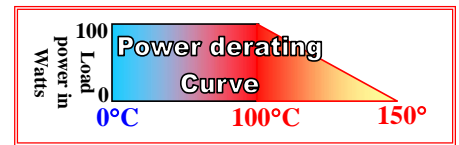


## Coaxial Isolator, 1700-2400MHz SMA or N-Type Connector, 10 Watts RADI-1700-2400M-S3-10WR



**Tolerance (unless otherwise stated):**

Hole diameter	±0.004
Dimensions	±0.015
Machined surfaces	63√
Flatness	±0.001/inch
Bend radius	1/32 inch



**Direction of RF:**

<b>R</b>	Default	
<b>L</b>		

Units: mm  
Not to scale

Order Examples: **RADI-1700-2400M-S3-10WR**  
**I=ISOLATOR / C=CIRCULATOR**

N / SMA Connector options (X)				
Isolator			Circulator	
Port 1	Port 2		Port 3 Male	Port 3 Female
Female	Male	-1	-11	-21
Male	Female	-2	-12	-22
Female	Female	-3	-13	-23
Male	Male	-4	-14	-24

Size#	A	B	C	D	E	F	H	I	L	
1	41.8	44.1	19	33	32	tba	tba	7.7	tba	mm
2	45.8	45.2	24.4	35	25	tba	tba	15.5	tba	mm

Size#	Specifications: Frequency MHz	Insertion loss dB (max)	Isolation dB (min)	VSWR :1	Power Fwd Watts	Power Rev Watts	Temp °C	Connector
1	1700-2300	0.4	20	1.25	2	10	0 to +50	SMA
1	1700-2400	0.4	20	1.25	2	10	0 to +50	SMA
1	1700-2400	0.3	20	1.25	50	10	-20 to +60	SMA or N
1	1700-2400	0.5	17	1.40	50	10	-35 to +71	SMA or N
2	1800-2400	0.5	18	1.30	150	10	-20 to +85	SMA