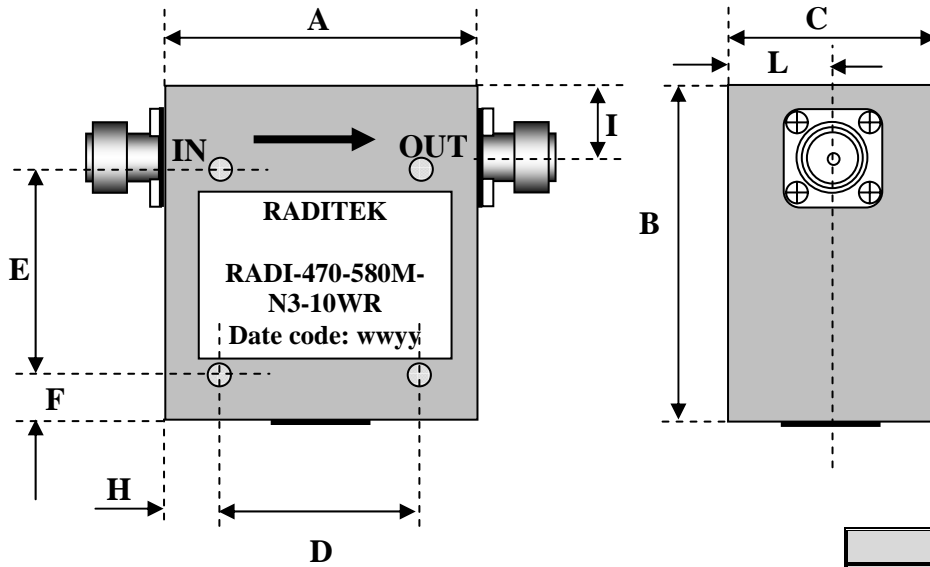
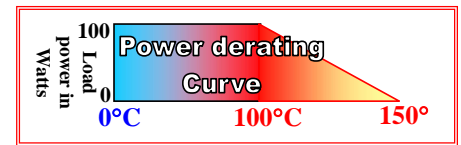


Coaxial Isolator, 470-580MHz SMA or N-Type Connector, 10 Watts RADI-470-580M-N3-10WR



Tolerance (unless otherwise stated):

Hole diameter	±0.004
Dimensions	±0.015
Machined surfaces	63√
Flatness	±0.001/inch
Bend radius	1/32 inch



Direction of RF:

R	Default	
L		

Units: mm
Not to scale

Order Examples: RADI-470-580M-N3-10WR
I=ISOLATOR / C=CIRCULATOR

N / SMA Connector options (X)				
Isolator			Circulator	
Port 1	Port 2		Port 3 Male	Port 3 Female
Female	Male	-1	-11	-21
Male	Female	-2	-12	-22
Female	Female	-3	-13	-23
Male	Male	-4	-14	-24

Size#	A	B	C	D	E	F	H	I	L	
1	48.7	53.6	27.2	tba	tba	tba	tba	tba	tba	mm
										mm

Size#	Specifications: Frequency MHz	BW	Insertion loss dB (max)	Isolation dB (min)	VSWR :1	Power Fwd Watts	Power Rev Watts	Temp °C	Connector
1	470-580	Full	0.3	23	1.10	10	10	+25	SMA or N
1	470-580	Full	0.3	20	1.20	10	10	-20 to +80	SMA or N