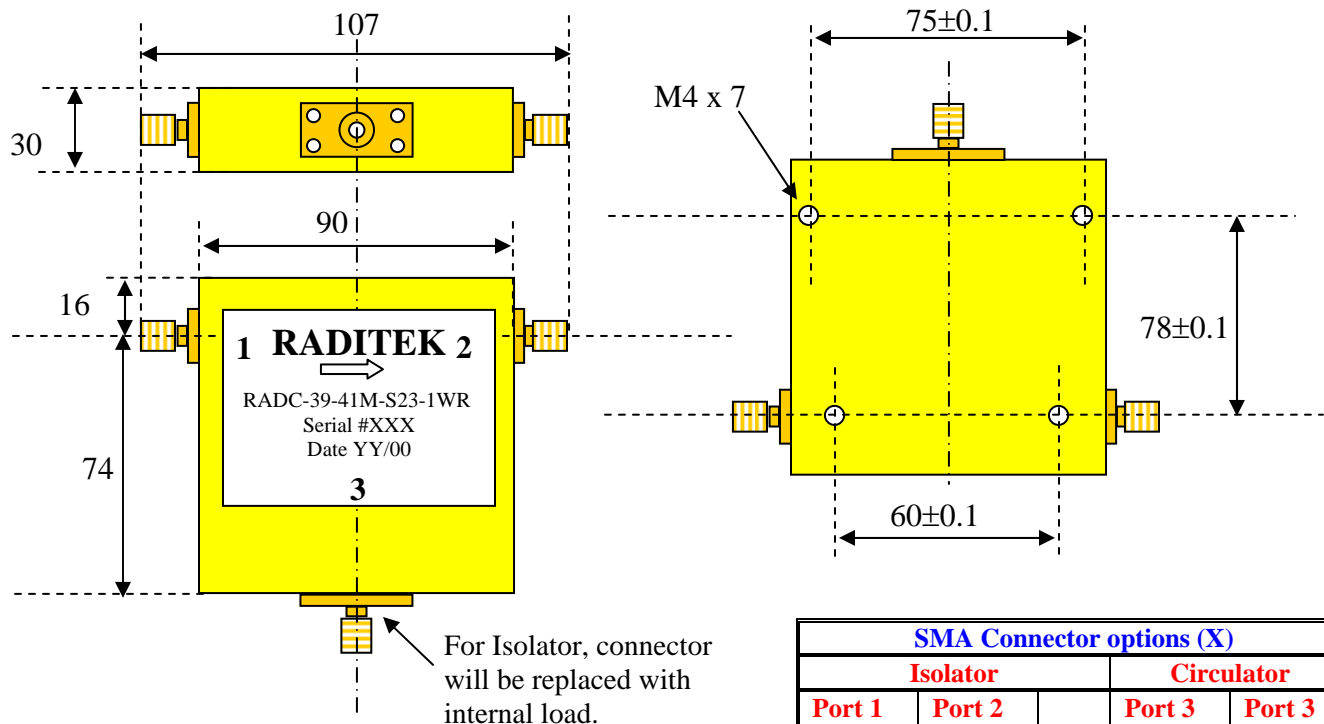


27-44MHz Isolators or Circulators 2MHz Bandwidth, SMA Connectors, 1 or 10 Watts



SMA Connector options (X)				
Isolator			Circulator	
Port 1	Port 2		Port 3 Male	Port 3 Female
Female	Male	-1	-11	-21
Male	Female	-2	-12	-22
Female	Female	-3	-13	-23
Male	Male	-4	-14	-24

Direction of RF:	
R	Default
L	

Units: mm
Not to scale

Order Examples: **RADI-39-41M-SX-1WR**
I=ISOLATOR / C=CIRCULATOR

Specifications: Frequency MHz	Insertion loss dB (max)	Isolation dB (min)	VSWR :1	Power Fwd Watts (CW)	Power Rev Watts (CW)	Temp Range °C	Connector
27-44	1.0	17	1.30	10	1 or 10	+15 to +35	SMA
27.5-28.5	1.0	15	1.40	10	1 or 10	+15 to +35	SMA
31-33	1.0	15	1.40	10	1 or 10	+15 to +35	SMA
39-40	1.0	20	1.30	10	1 or 10	0 to +50	SMA
39-41	1.0 1.0	15 17	1.50 1.35	10	1 or 10	0 to +50	SMA
40-41	1.0	17	1.30	10	1 or 10	+15 to +35	SMA