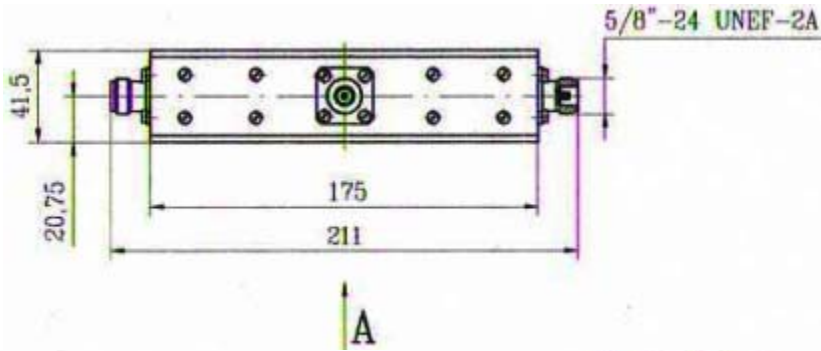


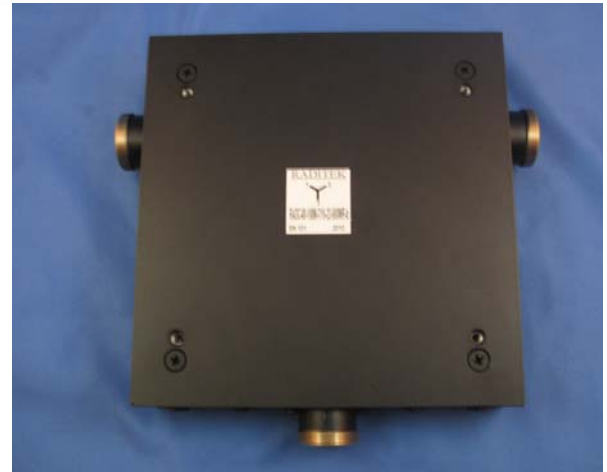
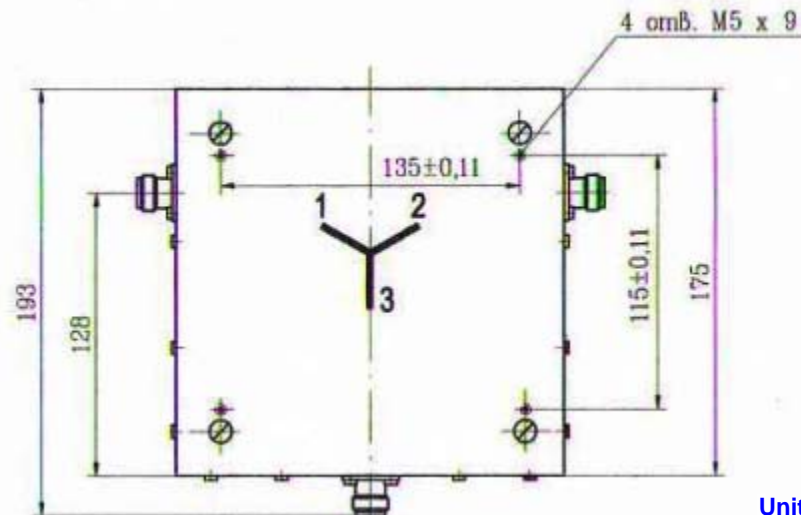
Coaxial Circulator, 88-108MHz

7/16 or N Connector, 500 Watts Reverse and 500Watts Forward

RADC-88-108M-7/16-23-500WR/ 500W Fwd-b



N/ 7/16 Connector options (X)				
Isolator			Circulator	
Port 1	Port 2		Port 3 Male	Port 3 Female
Female	Male	-1	-11	-21
Male	Female	-2	-12	-22
Female	Female	-3	-13	-23
Male	Male	-4	-14	-24



Units: mm
Not to scale

Specifications: Frequency MHz	Insertion loss dB (max)	Isolation dB (min)	VSWR :1	Power Fwd Watts	Power Rev Watts	Op.Temp °C	Connector
88-108 **	0.5 0.5	18 17	1.3 1.4	500	500	5 to +35 0 to +50	7/16 weight 6Kg
88-108 **	0.5 0.5	18 17	1.3 1.4	500	500	5 to +35 0 to +50	N

**** Forced Air cooling. Keep max temperature of the device body +60C.**