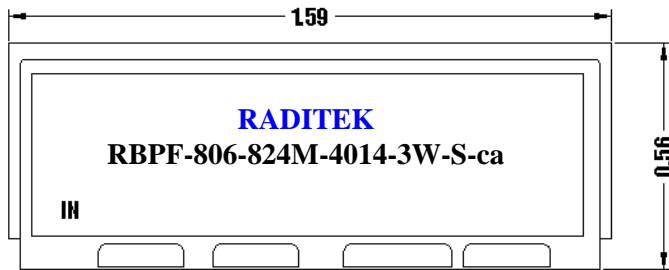


# RADITEK INC.

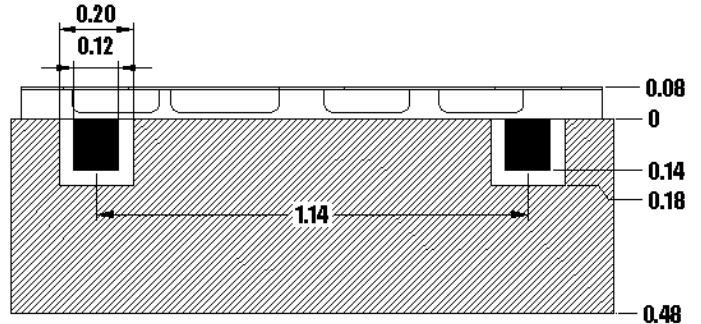
## Ceramic Band Pass Filter 806 MHz to 824 MHz, Model 4014, 3 Watts, Surface Mount RBPF-806-824M-4014-3W-S-ca

code-j2

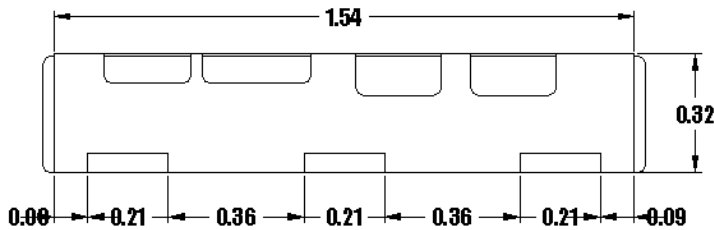
### TOP VIEW



### BOTTOM VIEW



### FRONT VIEW



TOLERANCE :  $\pm 0.01$

UNIT : inch

### ELECTRICAL SPECIFICATIONS

ITEM	SPEC	Unit
1	Center Frequency [fo]	815 MHz
2	Bandwidth [BW]	fo $\pm$ 9 min [806 ~824] MHz
3	Insertion Loss at fo	3.0 max.
4	Ripple in BW	1.5 max.
5	Return Loss in BW	15.0 min.
6	Input Power	3W max.
7	In/Out Impedance	50 $\Omega$
8	Attenuation [Absolute Value]	65 dB min. @ fo + 36 [851] MHz
9	Operation Temperature Range	-40°C to +85°C

# RADITEK INC.

**Ceramic Band Pass Filter**  
**806 MHz to 824 MHz, Model 4014, 3 Watts, Surface Mount**  
**RBPF-806-824M-4014-3W-S-ca**

code-j2

## RECOMMENDED PC BOARD PATTERN

