

# RADITEK INC.

## SMR Filters

code-k

### Band Pass Filter, 806-821MHz, 10 poles, 3 Watts, Surface Mount RBPF-806-821M-10p-3W-S-k

#### 1. FEATURES

- ▶ HIGH PERFORMANCE
- ▶ HIGH RELIABILITY
- ▶ PCB TYPE
- ▶ BPF

#### 2. Electrical specification

ITEM	In >>> Out	
1) Center frequency	813.5	MHz
2) Poles	10	
3) Band-width(BW)	+/- 7.5	MHz
4) Insertion Loss	3.5	dB max.
5) Ripple at BW	1.0	dB max.
6) Return Loss	18.0	dB min.
7) Attenuation	836 MHz	60 dB min.
	851 ~ 866 MHz	60 dB min.
8) Input Power	3	W max.
9) In/Out Impedance	50	ohm
10) Temperature range	-30 to +85	°C

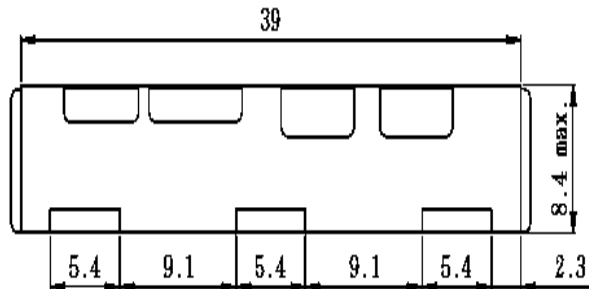
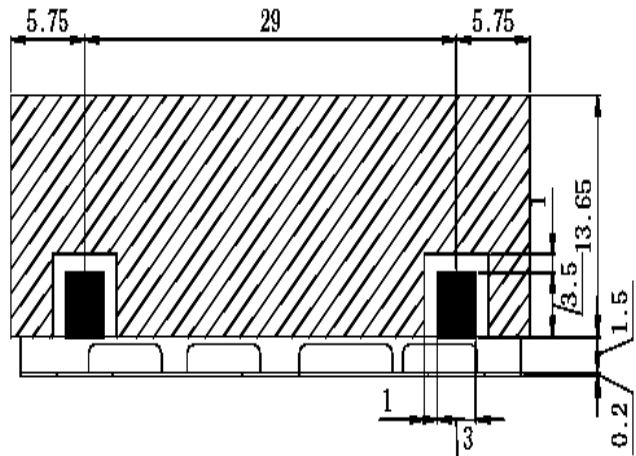
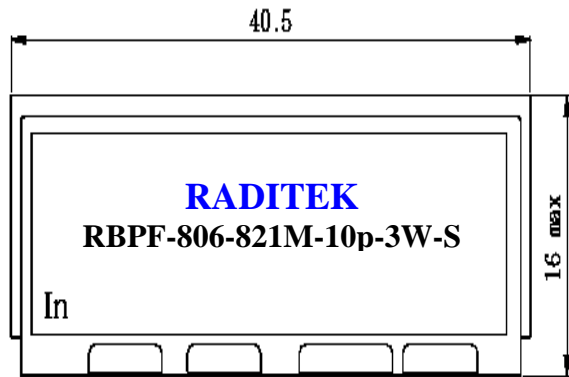
# RADITEK INC.

## SMR Filters

code-k

**Band Pass Filter, 806-821MHz, 10 poles, 3 Watts, Surface Mount**  
**RBPF-806-821M-10p-3W-S-k**

Mechanical specification (Figure,Circuit,Port)



■ : I/O PORT  
▨ : GROUND  
TOLERANCE UNLESS  
OTHERWISE SPECIFIED :  $\pm 0.2$   
DIMENSIONS : mm

#### 4. RECOMMENDED PC BOARD PATTERN

■ : SOLDER LAND PATTERN

