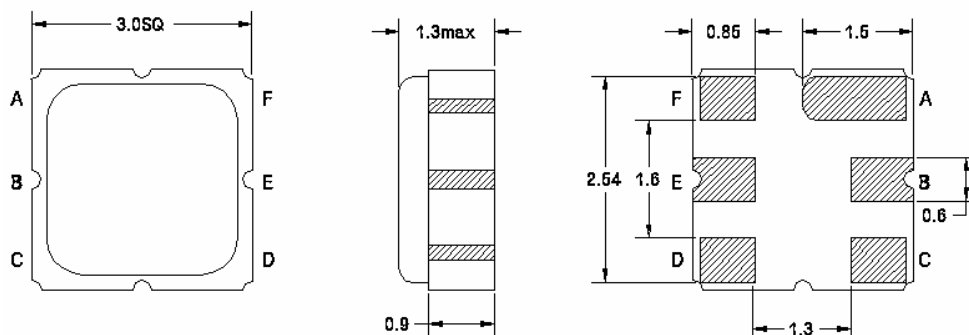


# RADITEK INC.

## Surface Acoustic Wave (SAW) Band Pass Filter 1930-1990MHz, 3 Watts, Surface Mount RSAW-BPF-1930-1990M-S

code-k

### PACKAGE DRAWING



PIN Descriptions: IN - E, OUT - B, GROUND - A,C,D,F

Parameters Description	Unit	Minimum	Typical	Maximum
Center Frequency (Fo)	MHz	-	1960	-
Insertion Loss (1930 ~ 1990 MHz)	dB	-	2.4	3.5
Source Impedance (single ended) <sup>(1)</sup>	$\Omega$	-	50	-
Load Impedance (single ended) <sup>(1)</sup>	$\Omega$	-	50	-
Operating Temperature Range	$^{\circ}\text{C}$	-30	-	+85
Amplitude Ripple within 1930 ~ 1990 MHz	dB <sub>p-p</sub>	-	1.0	2.0
Attenuation:				
D.C. ~ 1850 MHz	dB	20	32	-
1850 ~ 1910 MHz	dB	10	21	-
2030 ~ 2080 MHz	dB	35	45	-
2110 ~ 2170 MHz	dB	28	37	-
2170 ~ 2550 MHz	dB	25	34	-
VSWR (1930 ~ 1990 MHz)	-	-	1.7	2.5
Maximum DC Voltage	V	-	-	7.5
Maximum Input Power	dBm	-	-	15
Package type & size		M		
Length x Width	mm <sup>2</sup>	-	3.0 x 3.0	-
Height	mm	-	-	1.3

**Notes :** (1) With Matching Network (Ref. Testing Environment Circuit as shown below).

Those impedances could be modified with different impedance values and/or structures, if necessary

# **RADITEK INC.**

---

**Surface Acoustic Wave (SAW) Band Pass Filter  
1930-1990MHz, 3 Watts, Surface Mount  
RSAW-BPF-1930-1990M-S**

---

---

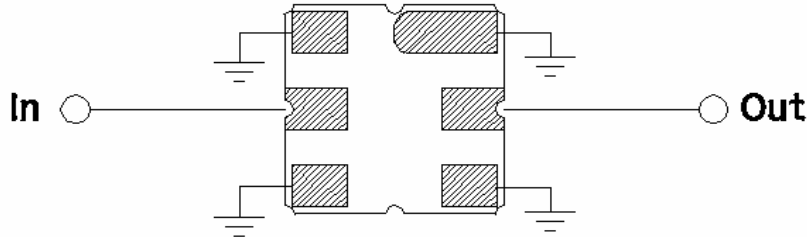
code-k

# RADITEK INC.

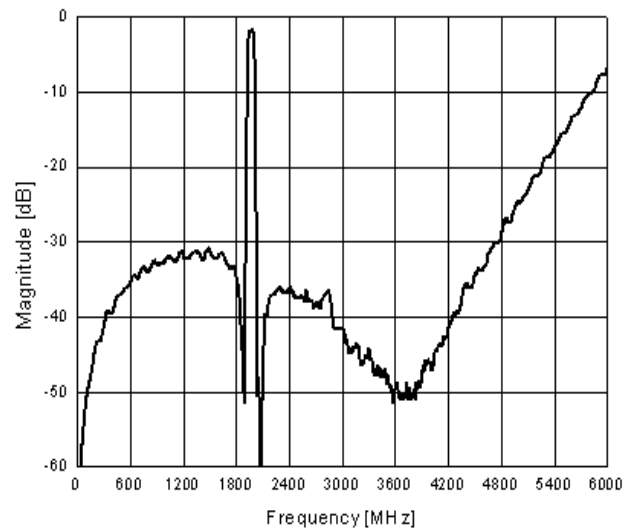
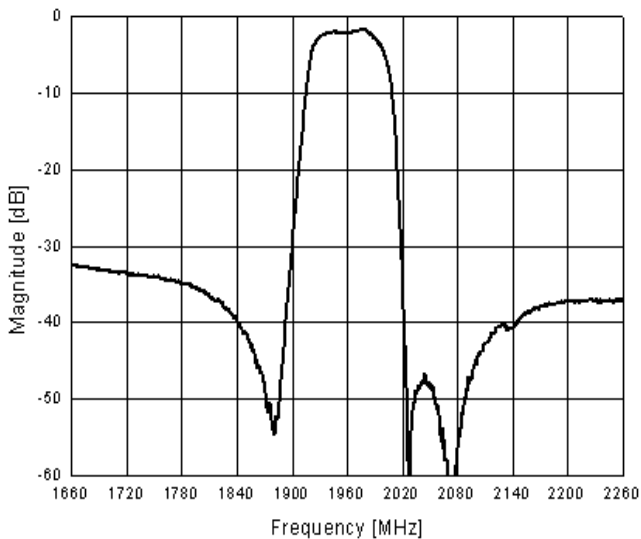
## Surface Acoustic Wave (SAW) Band Pass Filter 1930-1990MHz, 3 Watts, Surface Mount RSAW-BPF-1930-1990M-S

code-k

### TESTING ENVIRONMENT



### FREQUENCY RESPONSE



RSAW-BPF-1930-1990M-S-k

Specifications subject to change

09/25/06

WORLD HQ: 1702H Meridian Ave. Suite 127, San Jose, Ca 95125, U.S.A.

Telephone: (408) 266-7404 FAX: (408) 266-4483

WEB: [www.raditek.com](http://www.raditek.com), E-mail: [sales@raditek.com](mailto:sales@raditek.com)