

RADITEK INC.

Surface Acoustic Wave (SAW) Band Pass Filter 1217-1224MHz, 3 Volts, Surface Mount RSAW-BPF-1217-1224M-3V-S

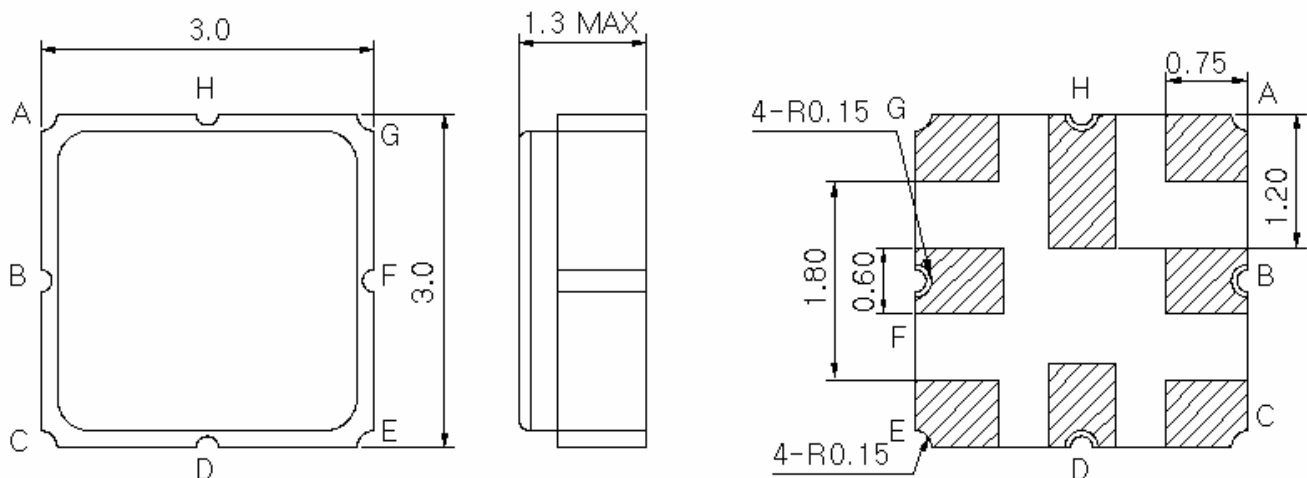
code-k

PRELIMINARY PRODUCT INFORMATION (Revision 06/2004)

Parameters Description	Unit	Minimum	Typical	Maximum
Center Frequency (Fo)	MHz	-	1220.0	-
Insertion Loss within 1216.0 ~ 1224.0 MHz	dB	-	3.5	4.8
Source Impedance (balanced ended) ⁽¹⁾	Ω	-	200	-
Load Impedance (balanced ended) ⁽¹⁾	Ω	-	200	-
Operating Temperature Range	$^{\circ}\text{C}$	-30	-	0+80
Amplitude Ripple within 1216.0 ~ 1224.0 MHz	dB _{p-p}	-	0.4	1.0
Attenuation:				
Fo-200.0 ~ Fo-68.0 MHz	dB	46	51	-
Fo-88.0 MHz	dB	48	53	-
Fo-72.0 MHz	dB	50	58	-
Fo-44.0 MHz	dB	48	56	-
Fo-36.0 MHz	dB	46	59	-
Fo+70.0 ~ 2000.0 MHz	dB	50	61	-
Group Delay Ripple within 1216.0 ~ 1224.0 MHz	ns _{p-p}	-	40	-
Maximum DC Voltage	V	-	-	3
Maximum Input Power	dBm	-	-	0

Notes: (1) With Matching Networks

PACKAGE DRAWING



PIN Descriptions: Balanced IN – A, B, Balanced OUT – E, F, GROUND – C, D, G, H

RSAW-BPF-1217-1224M-3V-S-k

Specifications may be subject to change

09/25/06

WORLD HQ: 1702H Meridian Ave. Suite 127, San Jose, Ca 95125, U.S.A.

Telephone: (408) 266-7404 FAX: (408) 266-4483

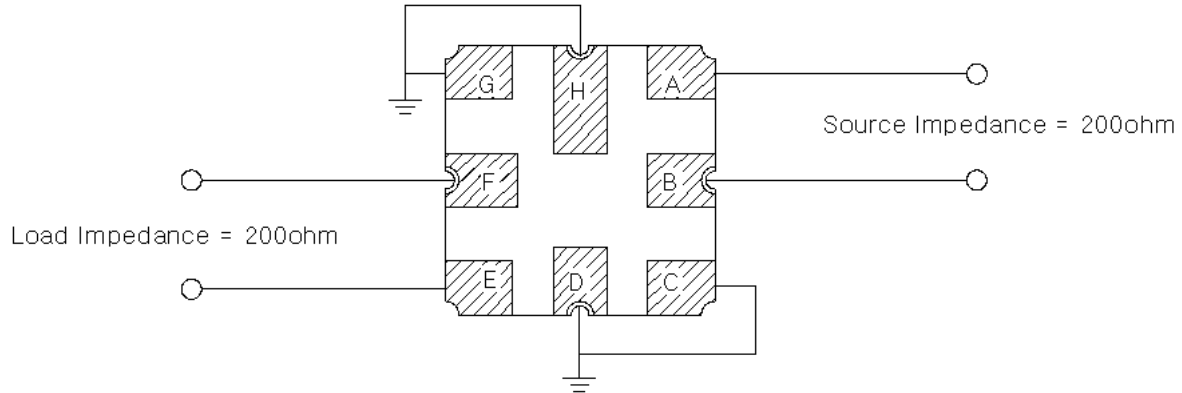
WEB: www.raditek.com, E-mail: sales@raditek.com

RADITEK INC.

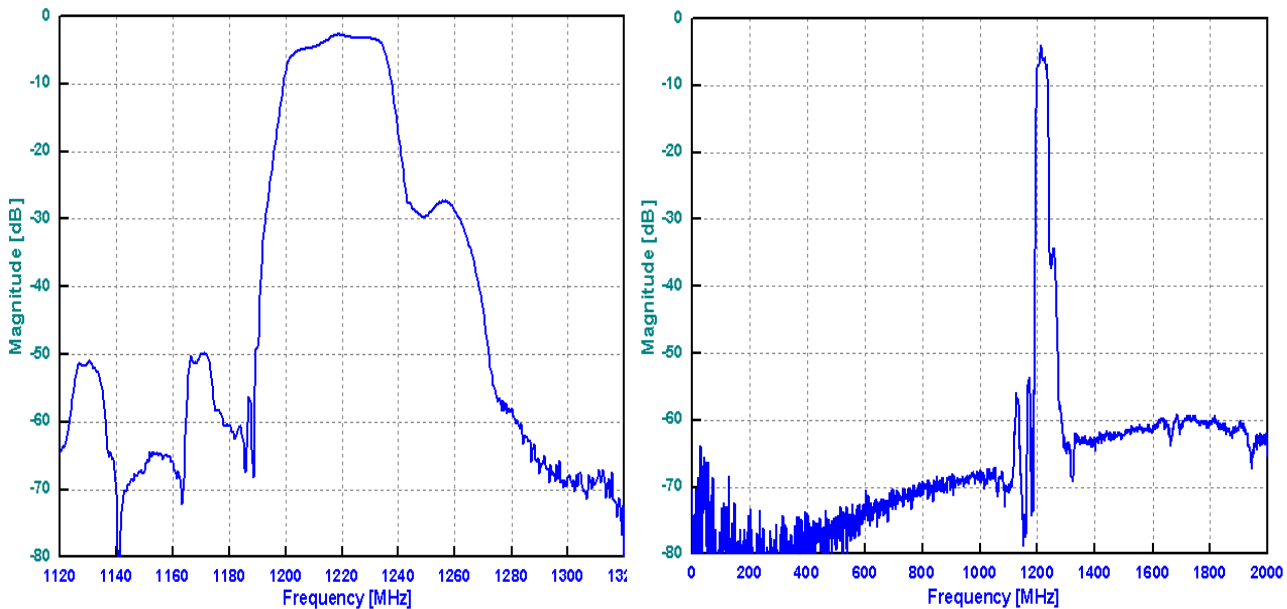
Surface Acoustic Wave (SAW) Band Pass Filter 1217-1224MHz, 3 Volts, Surface Mount RSAW-BPF-1217-1224M-3V-S

code-k

TESTING ENVIRONMENT



FREQUENCY RESPONSE



RSAW-BPF-1217-1224M-3V-S-k

Specifications may be subject to change

09/25/06

WORLD HQ: 1702H Meridian Ave. Suite 127, San Jose, Ca 95125, U.S.A.

Telephone: (408) 266-7404 FAX: (408) 266-4483

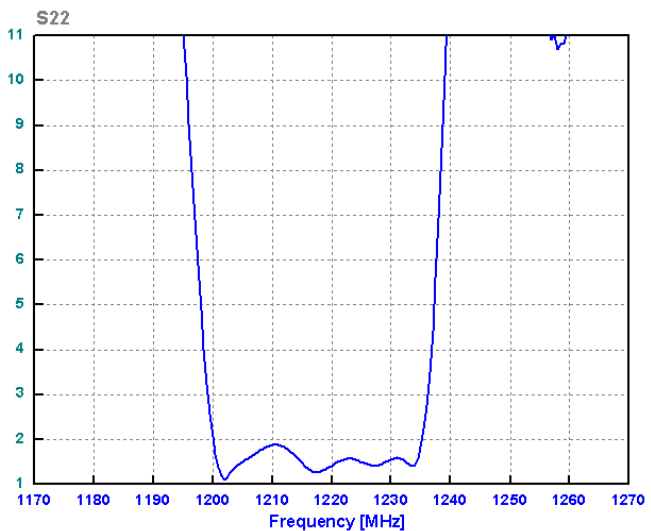
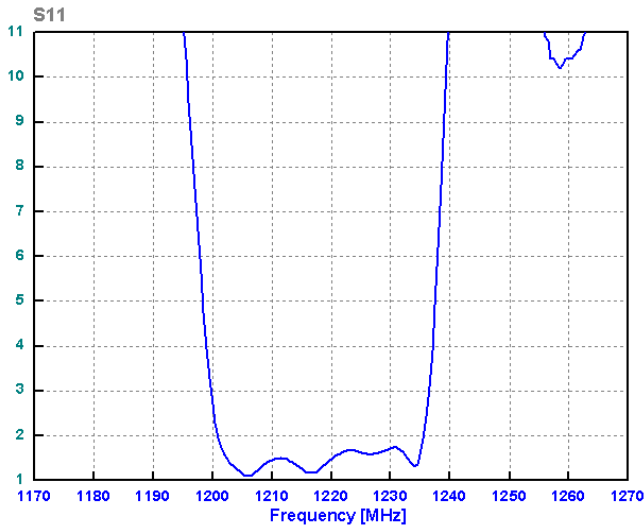
WEB: www.raditek.com, E-mail: sales@raditek.com

RADITEK INC.

Surface Acoustic Wave (SAW) Band Pass Filter
1217-1224MHz, 3 Volts, Surface Mount
RSAW-BPF-1217-1224M-3V-S

code-k

VSWR



SMITH CHART

