

RADITEK INC.

GSM, RF SAW Band Pass Filter 890-915MHz, Surface Mount RSAW-BPF-890-915M-S

code-k

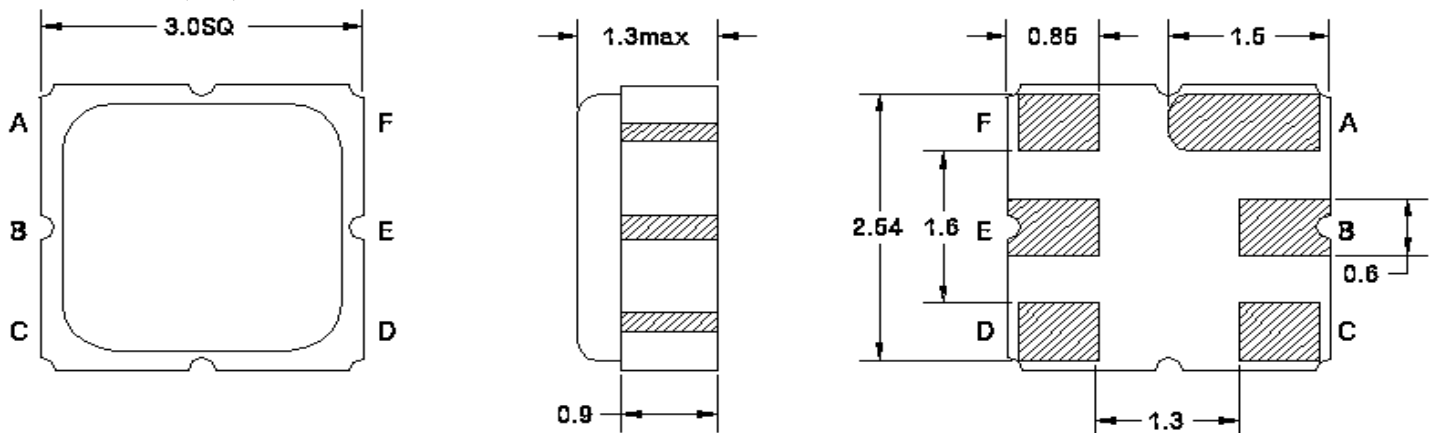
PRODUCT INFORMATION (Revision 01/2002)

Parameters Description	Unit	Minimum	Typical	Maximum
Center Frequency (Fo)	MHz	-	902.5	-
Insertion Loss (890~915 MHz)	dB	-	3.0	3.5
Source Impedance (single ended) ⁽¹⁾	Ω	-	50	-
Load Impedance (single ended) ⁽¹⁾	Ω	-	50	-
Operating Temperature Range	°C	-25	-	+75
Amplitude Ripple within 890~915 MHz	dB _{p-p}	-	0.8	1.5
Attenuation:				
D.C. ~ 845 MHz	dB	48	52	-
845 ~ 870 MHz	dB	40	45	-
925 ~ 935 MHz	dB	5	15	-
935 ~ 980 MHz	dB	25	32	-
980 ~ 1200 MHz	dB	45	49	-
1200 ~ 3000 MHz	dB	25	38	-
VSWR (890~915 MHz)	-	-	1.8	2.3
Maximum DC Voltage	V	-	-	5
Maximum Input Power	dBm	-	-	10
Package type & size	M			
Length x Width	mm ²	-	3.0 x 3.0	-
Height	mm	-	-	1.3

Notes : (1) No Matching Network (Ref. Testing Environment Circuit as shown below).

PACKAGE DRAWING M Package

Units in (mm)



PIN Descriptions: IN - E, OUT - B, GROUND - A,C,D,F

RSAW-BPF-890-915M-S-k

Specifications may be subject to change

09/26/06

WORLD HQ: 1702H Meridian Ave. Suite 127, San Jose, Ca 95125, U.S.A.

Telephone: (408) 266-7404 FAX: (408) 266-4483

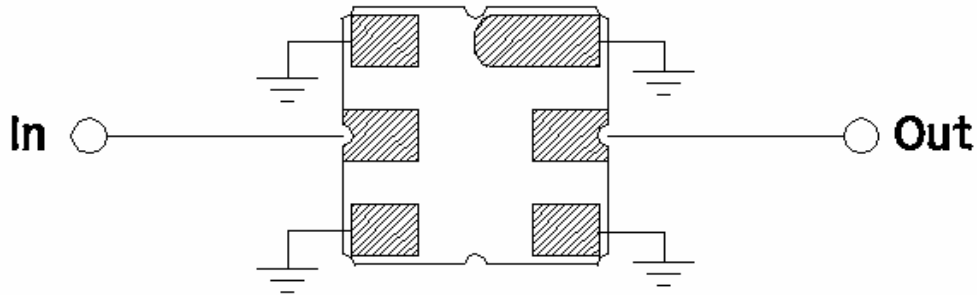
WEB: www.raditek.com, E-mail: sales@raditek.com

RADITEK INC.

GSM, RF SAW Band Pass Filter 890-915MHz, Surface Mount RSAW-BPF-890-915M-S

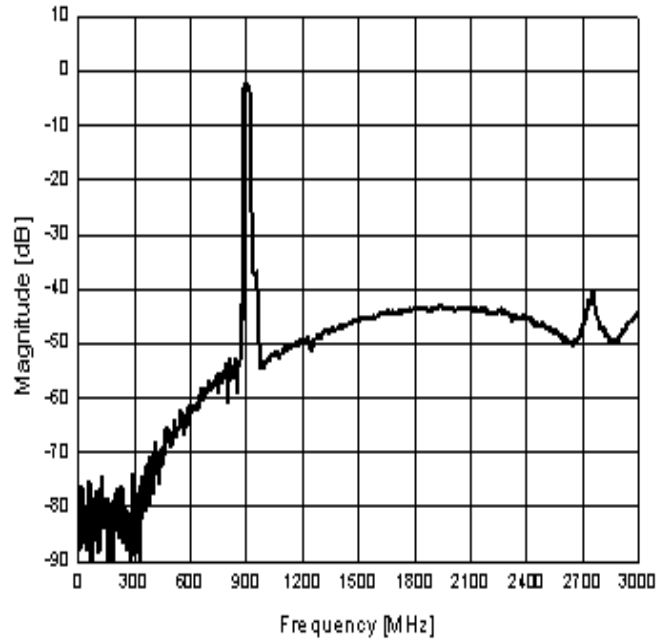
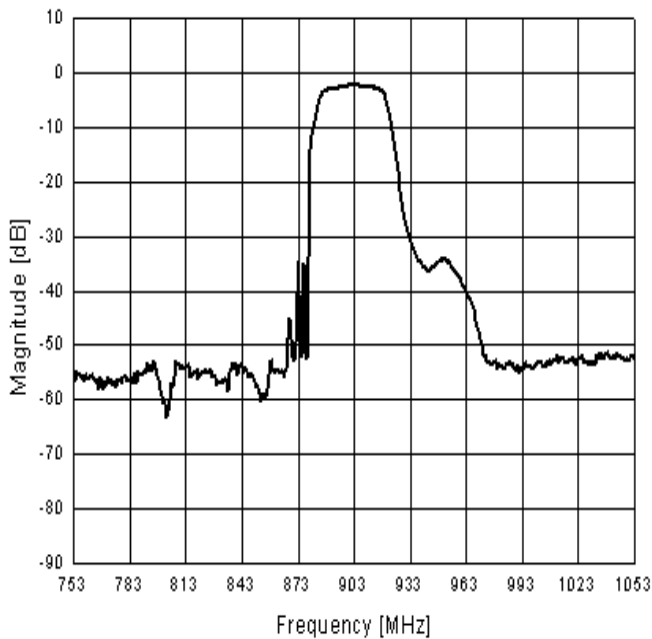
code-k

TESTING ENVIRONMENT



Source & Load Impedance: 50 Ω

FREQUENCY RESPONSE



RSAW-BPF-890-915M-S-k

Specifications may be subject to change

09/26/06

WORLD HQ: 1702H Meridian Ave. Suite 127, San Jose, Ca 95125, U.S.A.

Telephone: (408) 266-7404 FAX: (408) 266-4483

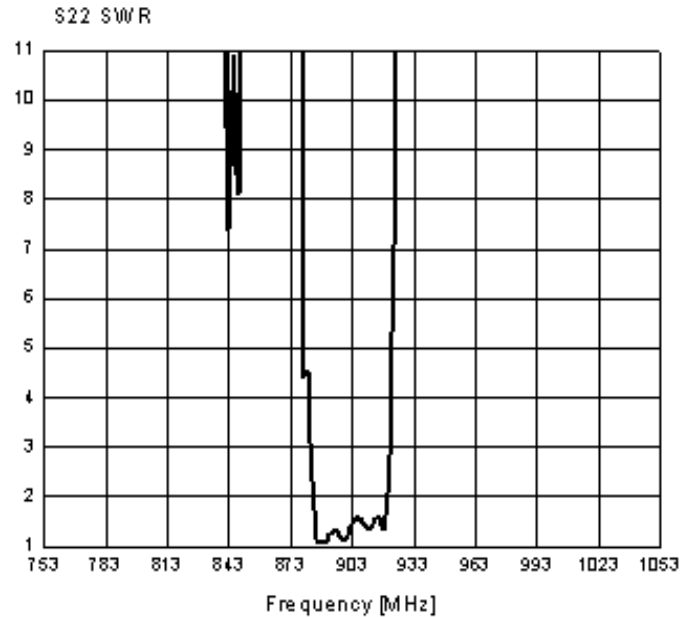
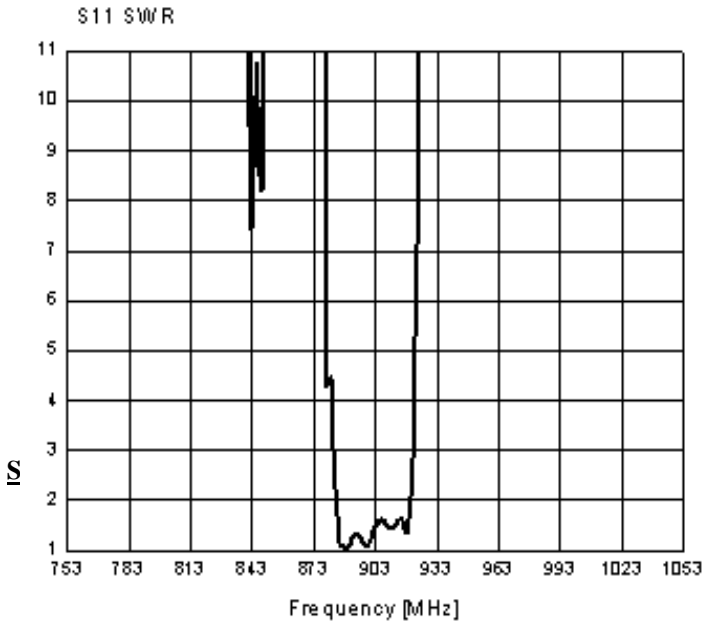
WEB: www.raditek.com, E-mail: sales@raditek.com

RADITEK INC.

GSM, RF SAW Band Pass Filter 890-915MHz, Surface Mount RSAW-BPF-890-915M-S

code-k

VSWR



S11

51.7214-j 19.5584
902.5 MHz

S22

53.2468-j 19.0515
902.5 MHz

