

## RC-SS-dd-SMT Circulator Product Family.

code-sj

**869 TO 1990MHZ, 200WATTS**

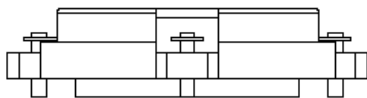
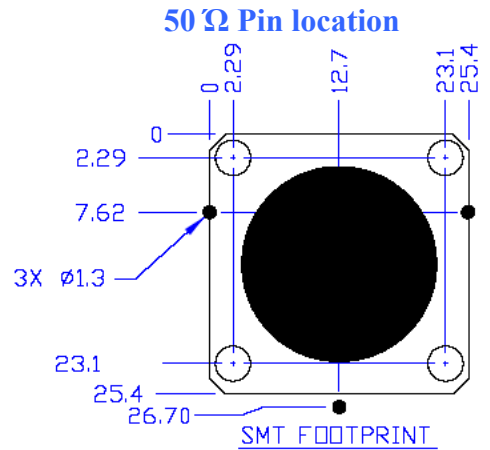
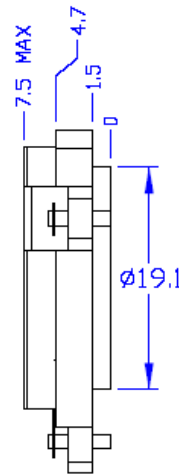
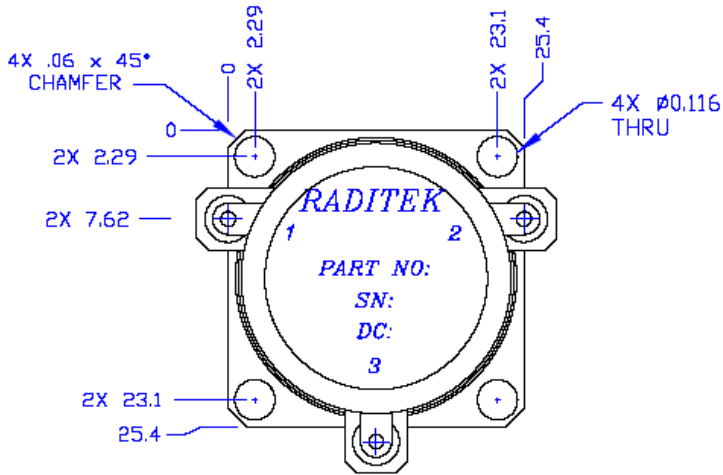
Designed for low cost, high volume reflow manufacturing.

Dual mount technique for maximum flexibility.

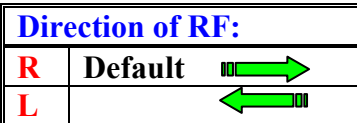
Mounting options: Soldered and or Screw Down.

Features:

- ✓ Highest performance
- ✓ Same size and footprint over a wide range of frequencies.
- ✓ Unique Precision surface mount design
- ✓ Patent applied for.
- ✓ Unique circular pedestal mounting for best compatibility with existing round SMT models.
- ✓ Nickel plated Aluminum construction



Unit will be cooled by through the board heat sinking.



Units: mm  
Not to scale

Order Examples: RC-SS-869-894M-dd-200WR-SMT

Specifications					Units
Frequency	<b>869-894</b>	<b>921-960</b>	<b>1805-1880</b>	<b>1930-1990</b>	MHz
Insertion Loss	<0.35	<0.35	<0.35	<0.35	dB
Isolation	>25	>25	>25	>25	dB
In/Out Return Loss	<23	<23	<23	<23	dB
Passband Ripple	0.05	0.05	0.05	0.05	dB
IMD (2 x 50W tones)	-70	-70	-70	-70	dBc typical
Forward power	>200	>200	>200	>200	Watts
Peak power	>1	>1	>1	>1	kilo Watts
Operating Temperature	-10 to +80	-10 to +80	-10 to +80	-10 to +80	°C
Storage Temperature	-40 to 100	-40 to 100	-40 to 100	-40 to 100	°C

**ROHS Compliant**

# RADITEK INC.

## RC-SS-dd-SMT Circulator Product Family.

code-sj

869 TO 1990MHZ, 200WATTS

Specifications					Units
Frequency	1805-1880	1500-1700			MHz
Insertion Loss	<0.35	0.4			dB
Isolation	>25	19			dB
In/Out Return Loss	<23	20			dB
Passband Ripple	0.05	0.05			dB
IMD (2 x 50W tones)	-70	-70			dBc typical
Forward power	>200	>200			Watts
Peak power	>1	>1			kilo Watts
Operating Temperature	-10 to +80	-10 to +80			°C
Storage Temperature	-40 to 100	-40 to 100			°C