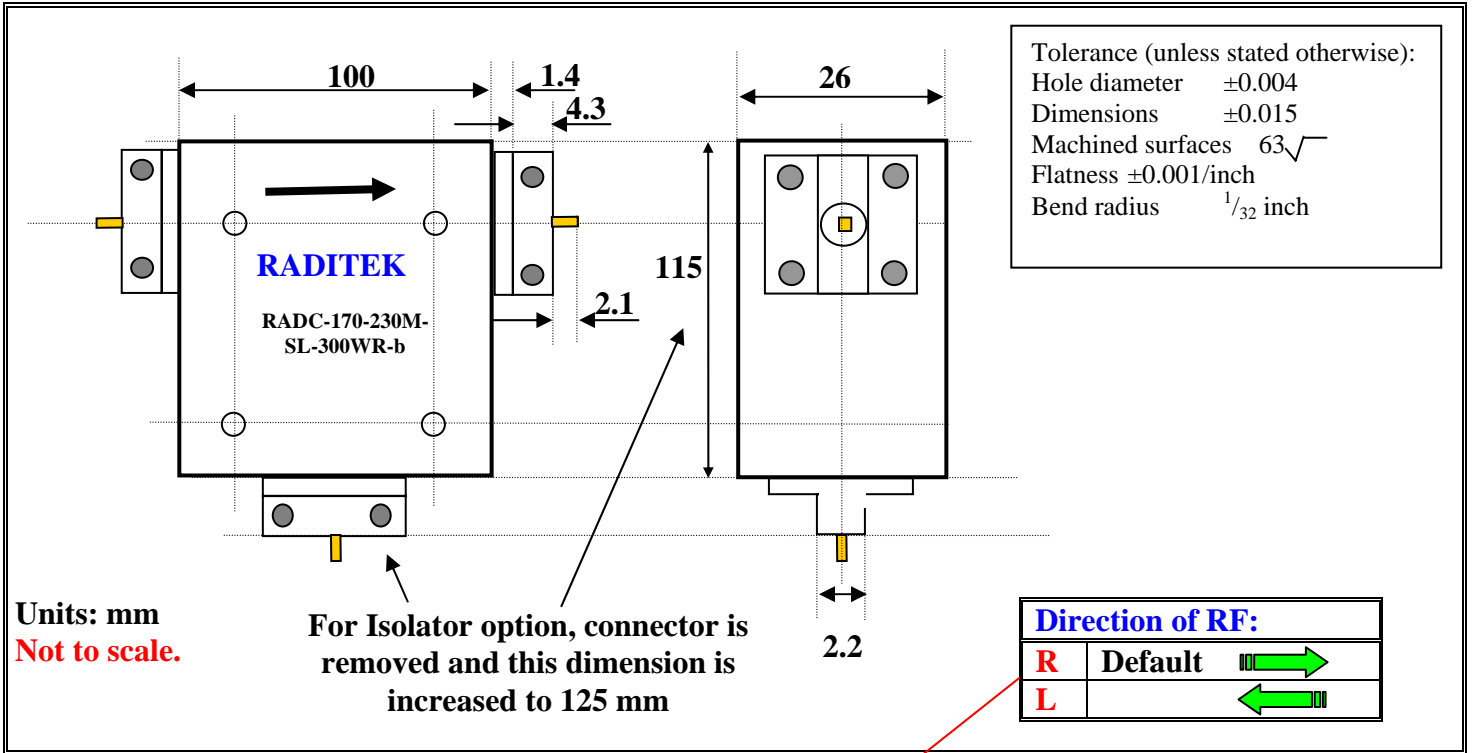


CIRCULATOR, STRIPLINE DROP-IN 170-230 MHz, 300 WATTS

code-b



Order Examples: RADC-170-230M-SL-300WR

Specifications:		Units
Frequency	170-230	MHz
Bandwidth	Full	
Insertion loss	0.5	dB (maximum)
Isolation	18	dB (minimum)
VSWR	1.30:1	dB (minimum)
Rated power (forward)	300	Watts (average)
Rated power (reverse)	300	Watts (average) {power in load}
Operating temperature	-10 to +65	°C