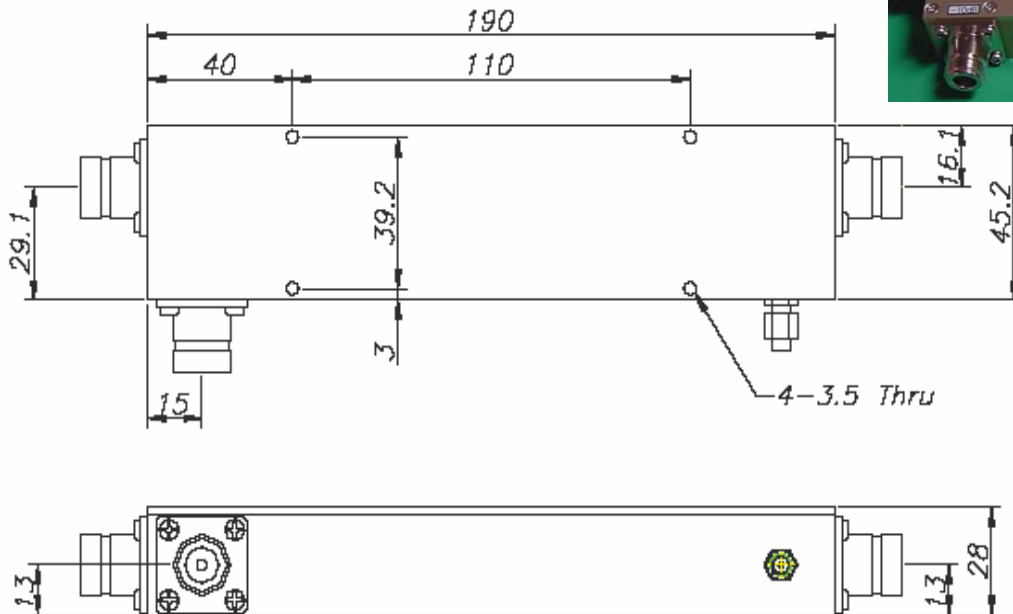


RADITEK INC.

Coupler, 400-500MHz 10dB Coupling, N-Type Connectors, 1 Watt

code-k



Connector Options (XX)		
In	Out	code
female	male	1
male	female	2
female	female	3
male	male	4

Units: mm
Not to scale

 **Order Examples:** RCPL-400-500M-10d-N3-1W

Coupler, 400-500MHz, 10 dB Coupling, N Female Connectors, 1 Watt

Electrical Specifications		Units
Frequency:	400-500	MHz
Insertion Loss	0.25*	dB (max) *Excluding Theoretical insertion loss
Isolation	28	dB (min)
VSWR	1.25	:1 (max)
RF Power Average	1	Watts (max)
Amplitude Balance	±0.5	dB
Coupling Factor	10±0.5	dB
Operating Temperature	-10 to +55	°C
Connectors	N-Type	Female (All Ports)

RCPL-400-500M-10d-N3-1W-k

Specifications may be subject to change

11/20/06

WORLD HQ: 1702H Meridian Ave. Suite 127, San Jose, Ca 95125, U.S.A.

Telephone: (408) 266-7404 FAX: (408) 266-4483

WEB: www.raditek.com, E-mail: sales@raditek.com