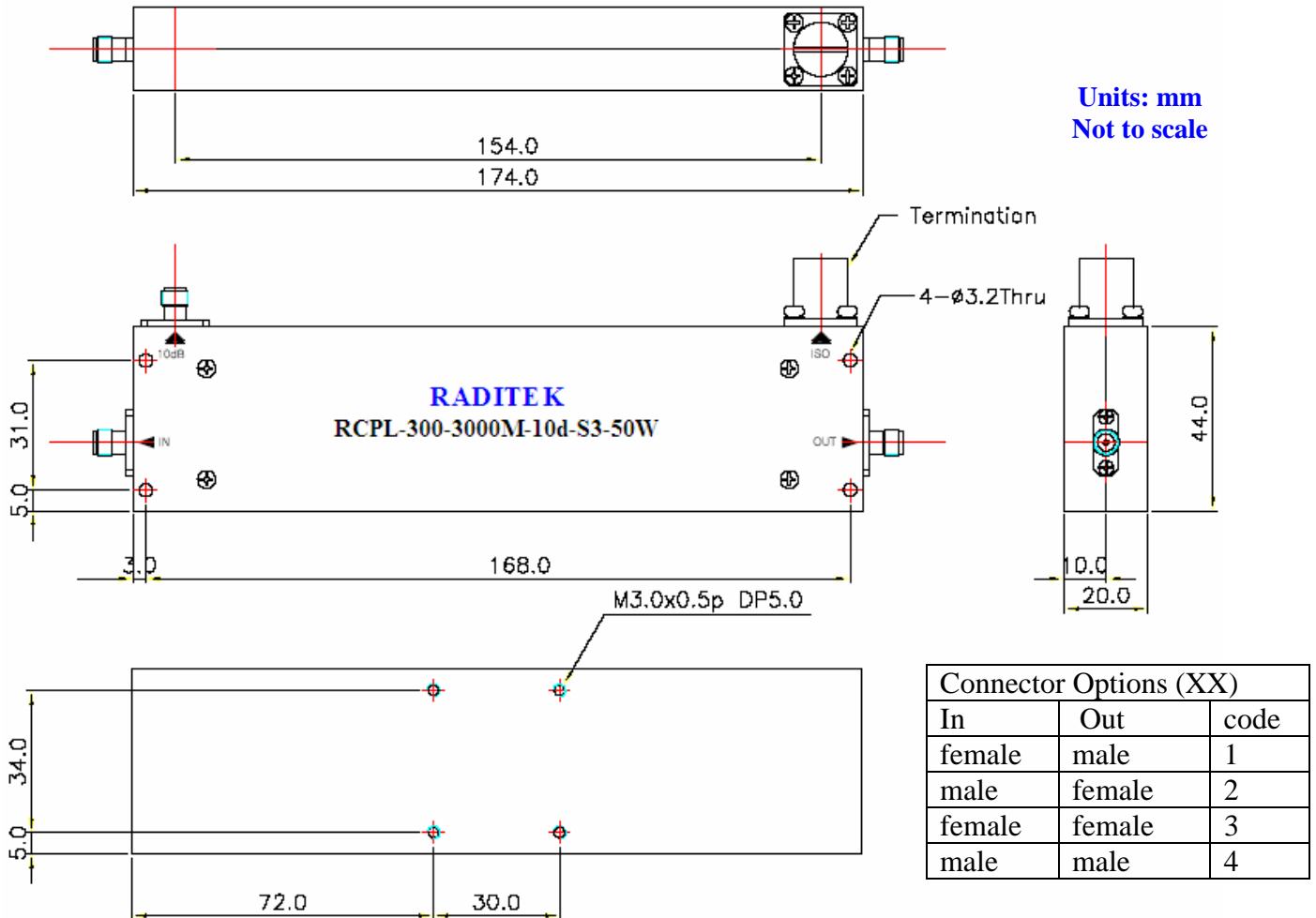


# RADITEK INC.

## Coupler, 300-3000MHz 10dB Coupling, SMA Connectors, 50 Watts

code-s



### Order Examples: RCPL-300-3000M-10d-S3-50W

Description: (Coupler, 300-3000 MHz, 10 dB Coupling, SMA Female Connectors, 50 Watts)

Electrical Specifications		Units
Frequency:	300-3000	MHz
VSWR	1.3:1	dB (max)
Coupling (dB)	10±1, 15±1 (300MHz)	dB
Isolation	20	dB
Impedance	50 (nominal)	Ohm
Intermodulation	-140	dBc
Temperature Range	-35 to +75	°C
Relative humidity	0 to 95	%
Power	50	Watts

RCPL-300-3000M-10d-S3-50W-s

Specifications may be subject to change

11/20/06

WORLD HQ: 1702H Meridian Ave. Suite 127, San Jose, Ca 95125, U.S.A.

Telephone: (408) 266-7404 FAX: (408) 266-4483

WEB: www.raditek.com, E-mail: sales@raditek.com