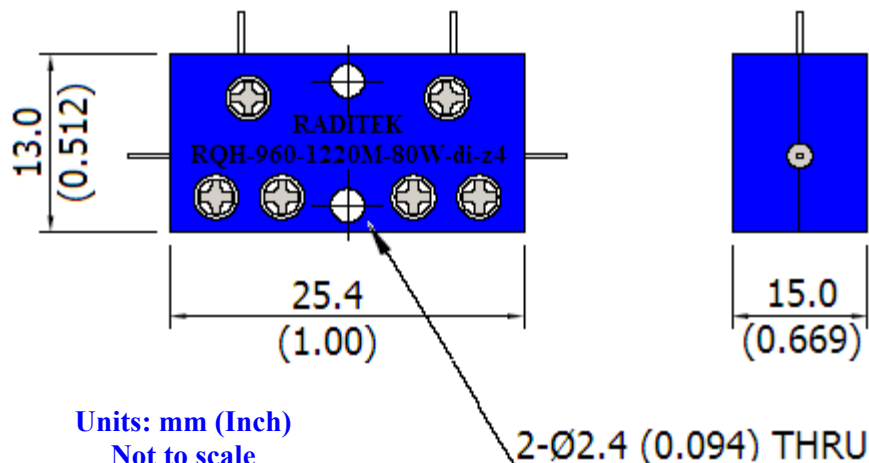


Quadrature Hybrid Coupler, 960-1220MHz 80 Watts, Drop-In

code-z4



Order Examples: RQH-960-1220M-80W-di-z4

Description: (Quad Hybrid, 960-1220MHz, 80 Watts, Drop-In)

Specifications		Units
Frequency Range	960-1220	MHz
Insertion Loss	0.8	dB (max)
Return Loss	13.0	dB (min)
Amplitude Balance	±1.0	dB (max)
Phase Balance	±4	deg (max)
Isolation	15.0	dB (min)
Power	80	Watts CW (max)
Impedance	50	Ω
Type	Drop-In	
Operating Temperature	-40 to +85	°C