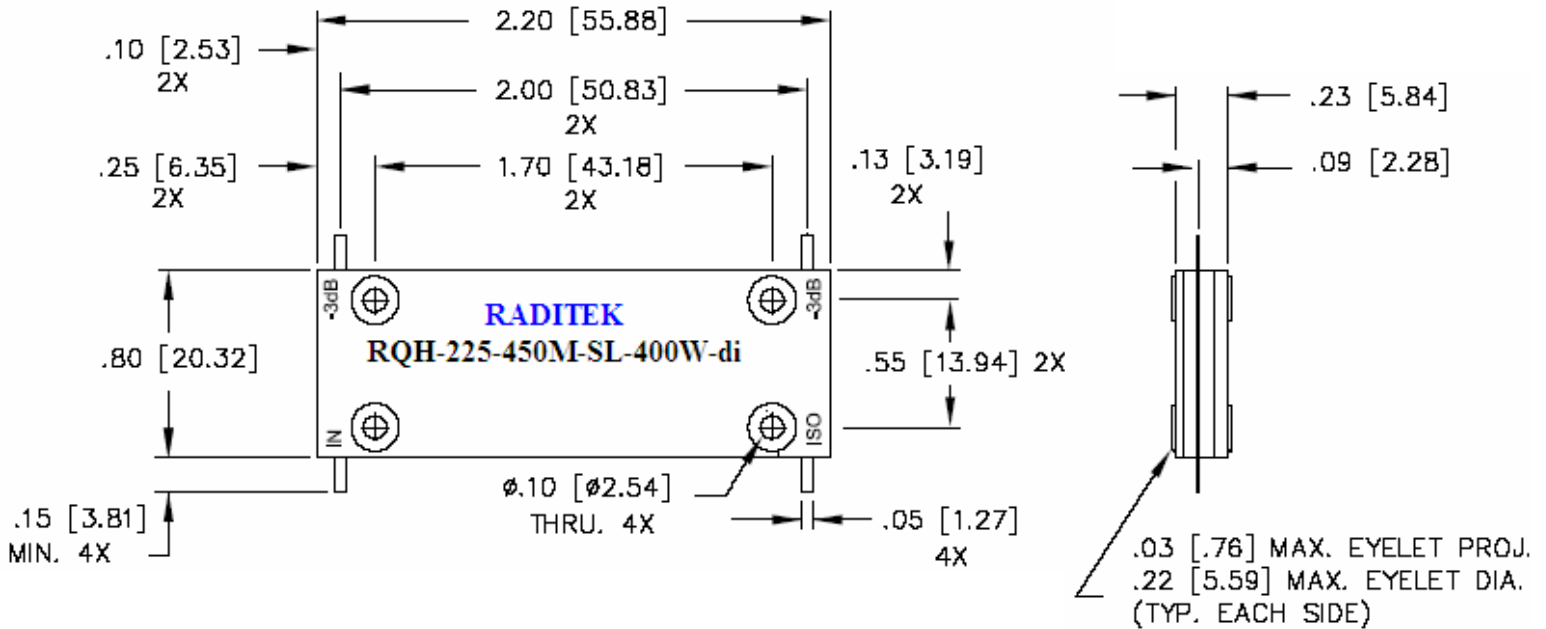


RADITEK INC.

High Power RF Stripline Quadrature Hybrid, 225-450MHz, 400 Watt, Drop-In Package

code-v



Order Examples: RQH-225-450M-SL-400W-di

Description: (Quadrature Hybrid, 225-450 MHz, Stripline Connectors, 400 Watts, Drop-In Package)

Electrical Specifications		Units
Frequency:	225-450	MHz
Insertion Loss	<0.25	dB (max)
VSWR	<1.25:1	
Isolation	>20	dB
Amplitude Balance	±0.50	dB
Phase Balance	±2°	
Power (CW)	400	Watts (max)
Peak Power (40% Duty Cycle / 20ms Pulse width)	600	Watts (max)
Temperature Range	-55 to +85	°C

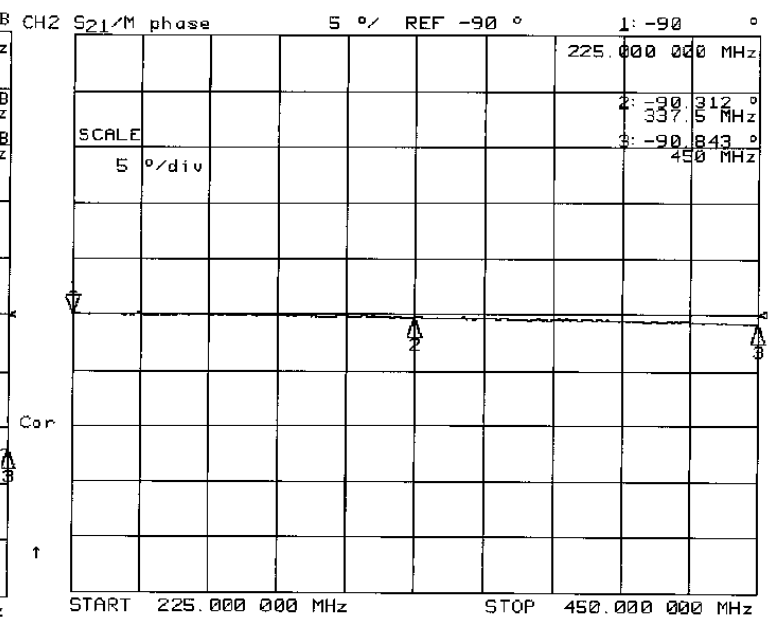
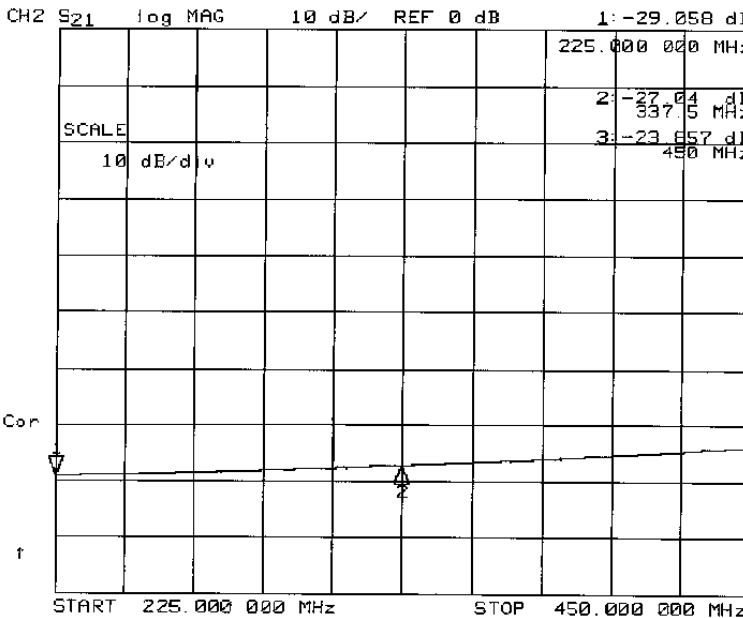
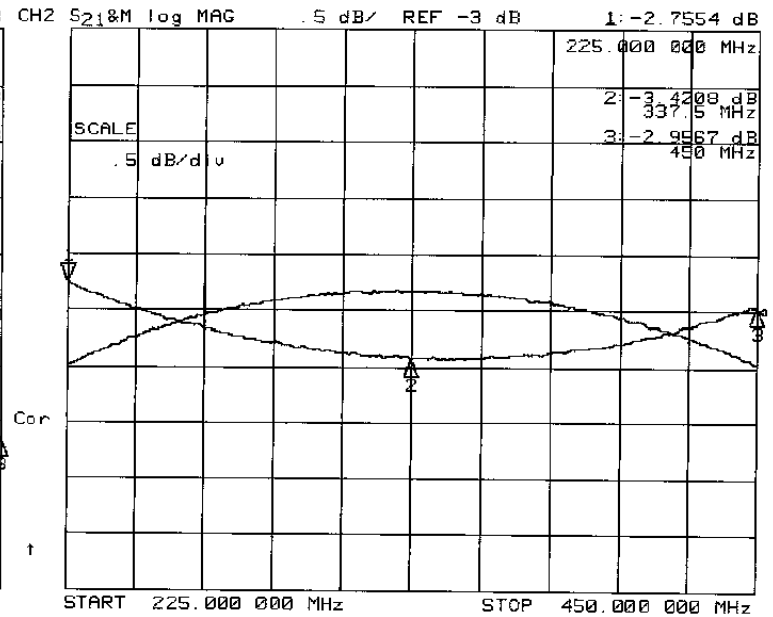
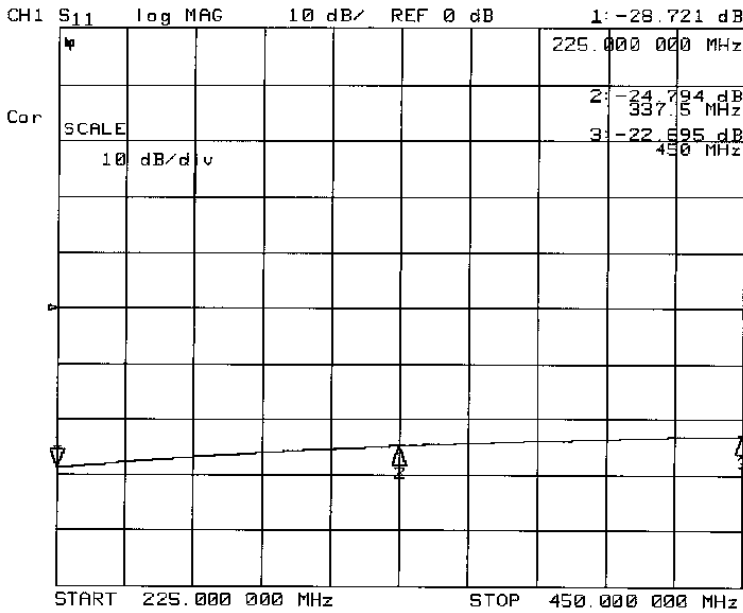
Notes:

1. Lead Material – 99.99% Pure Silver, 0.005” Thick

RADITEK INC.

High Power RF Stripline Quadrature Hybrid, 225-450MHz, 400 Watt, Drop-In Package

code-v



RQH-225-450M-SL-400W-di-v

Specifications may be subject to change

11/09/06

WORLD HQ: 1702H Meridian Ave. Suite 127, San Jose, Ca 95125, U.S.A.

Telephone: (408) 266-7404 FAX: (408) 266-4483

WEB: www.raditek.com, E-mail: sales@raditek.com