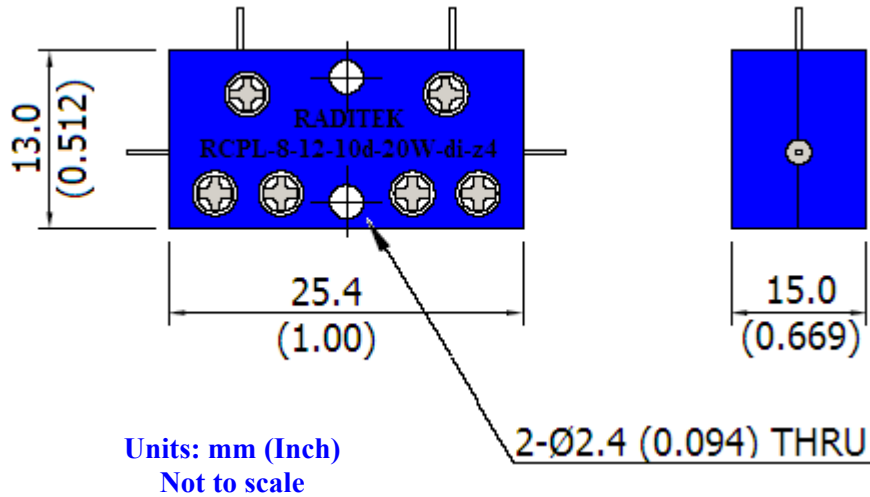


**Coupler, 8-12GHz, 10dB Coupling,  
Drop-In, 20Watts**

code-z4



**☎ Order Examples: RCPL-8-12-10d-20W-di**

**Description: (Coupler, 8-12GHz, 10dB Coupling, 20 Watts, Drop-In)**

Specifications		Units
Frequency Range	8-12	GHz
Insertion Loss (includes coupling loss)	1.0	dB (max)
Return Loss	15.0	dB (min)
Coupling Value	10±1.0	dB (max)
Directivity	15.0	dB (min)
Coupling Flatness	±0.6	dB (max)
Power	20	Watt (max)
Impedance	50	Ω
Type	Drop-In	
Operating Temperature	-30 to +70	°C
Finish	Clear chemical film per MIL-C-5541, Class 3	