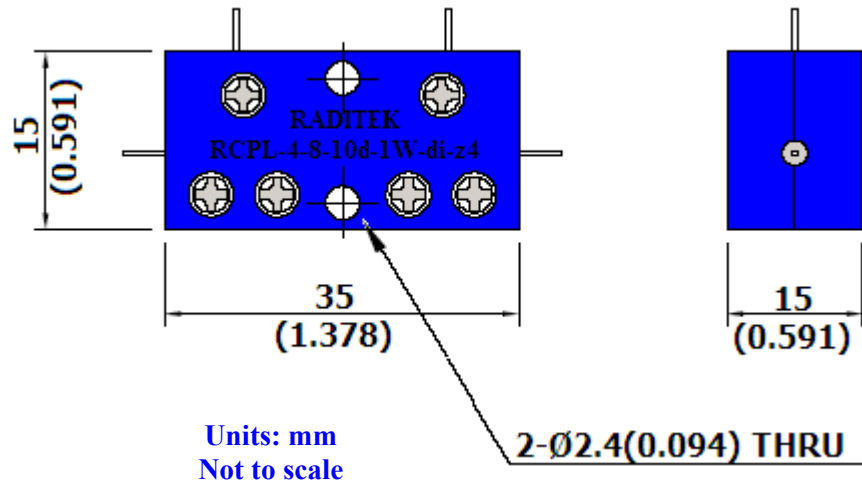


**Coupler, 4-18GHz, Split Bands, Drop-In
10 or 20dB Coupling, 1 or 20Watts**

code-z4



Order Examples: RCPL-4-8-10d-1W-di

Description: (Coupler, 4-8GHz, 10dB Coupling, 1 Watt, Drop-In)

Specifications			Units
Frequency Range	4-8	6-18	GHz
Insertion Loss	0.4	0.6	dB (max)
Return Loss	16.0	14.0	dB (min)
Coupling Value	10±1.2	20±1.2	dB (max)
Directivity	16.0	14.0	dB (min)
Coupling Flatness	±0.8	±0.7	dB (max)
Power	1	20	Watt
Impedance	50	50	Ω
Type	Drop-In	Drop-In	
Operating Temperature	-30 to +70	-30 to +80	°C
Finish	Clear chemical film per MIL-C-5541, Class 3		