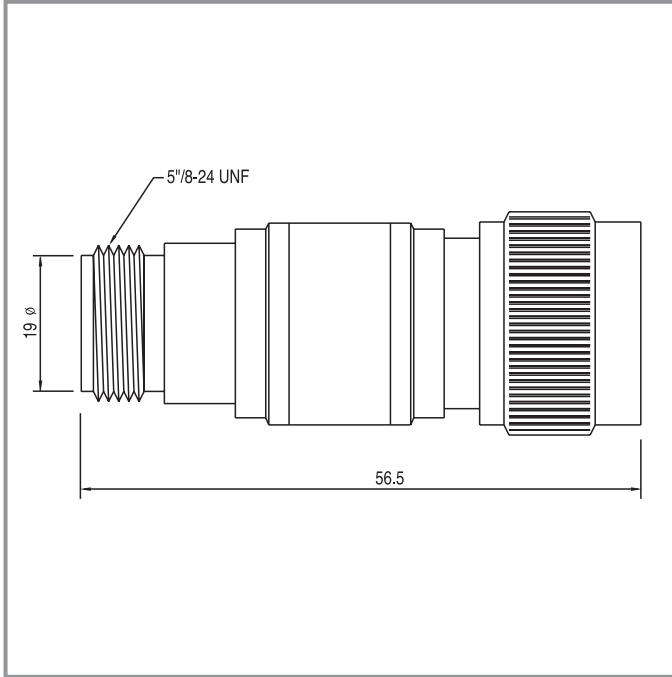


# PASSIVE COMPONENTS

## ATTENUATORS

### N-ATTENUATORS

#### DIMENSIONS



#### ELECTRICAL DATA

PART NO.	Accuracy 3GHz	V S W R	POWER (W)	IMPEDANCE (ohms)
M 750-014	±0.5dB	1.2:1	1W	50
M 750-015	±0.5dB	1.2:1	1W	50
M 750-016	±1.0dB	1.2:1	1W	50