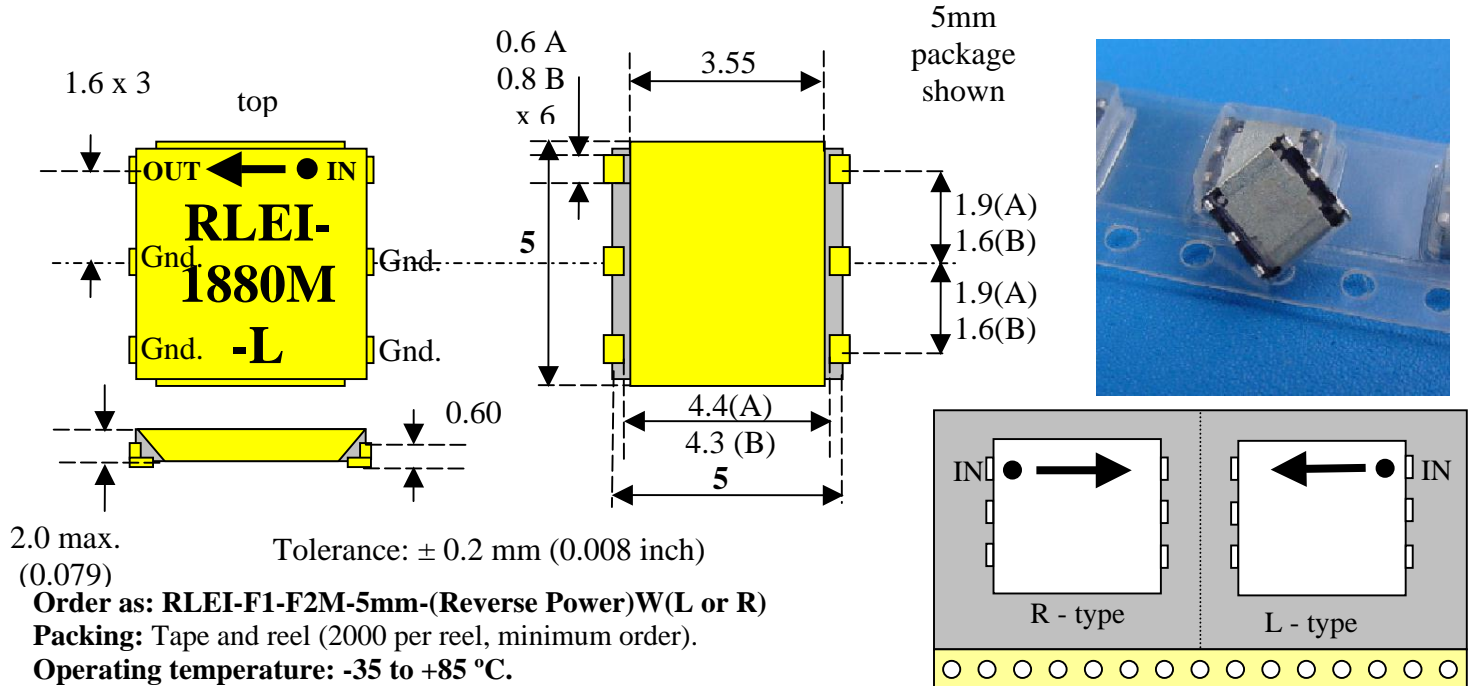


# RADITEK INC.

## LUMPED ELEMENT ISOLATORS

RADITEK Lumped element isolators offer a low cost inter-stage matching solution.

These are available currently in the frequency bands shown, other bands can be offered for high volume applications. They are currently available in 5x5 mm in lots of 2000 and some 7x7 mm in lots of 2500



2.0 max. (0.079) Tolerance:  $\pm 0.2$  mm (0.008 inch)

**Order as: RLEI-F1-F2M-5mm-(Reverse Power)W(L or R)**

**Packing:** Tape and reel (2000 per reel, minimum order).

**Operating temperature:** -35 to +85 °C.

**Survive 250 °C for 30 seconds (for Reflow process).**

**Condition for Vibration Test**

-Frequency: 10-55Hz

-Amplitude: 1.5mm

-X,Y,Z each 2Hr

**5mm (size) (1 Options):**

**Power Forward 2.5/5.0W-----Power Reverse 0.6/1.0W**

| Part #                    | Center Frequency (MHz) as marked | Full Band width (MHz) | Band  | Insertion loss dB (max.) | Isolation dB (min.) | VSWR  | Fwd Power | Rev Power | Foot Print |
|---------------------------|----------------------------------|-----------------------|-------|--------------------------|---------------------|-------|-----------|-----------|------------|
| RLEI-806-824M-5mm-0.6WL   | 815                              | 18                    | TRS   | 0.55                     | 15                  | 1.5:1 | 2.5       | 0.6       | A          |
| RLEI-824-849M-5mm-0.6WL   | 836.5                            | 25                    | CDMA  | 0.65                     | 13                  | 1.5:1 | 2.5       | 0.6       | A          |
| RLEI-869-894M-5mm-0.6WL   | 881.5                            | 25                    | CDMA  | 0.65                     | 13                  | 1.5:1 | 2.5       | 0.6       | A          |
| RLEI-890-915M-5mm-0.6WL   | 902.5                            | 25                    | GSM   | 0.65                     | 13                  | 1.6:1 | 2.5       | 0.6       | A          |
| RLEI-887-925M-5mm-0.6WL   | 906                              | 38                    | EGSM  | 0.70                     | 11                  | 1.6:1 | 2.5       | 0.6       | A          |
| RLEI-935-960M-5mm-1WL     | 947.5                            | 25                    | GSM   | 0.65                     | 15                  | 1.5:1 | 5         | 1         | A          |
| RLEI-1429-1453M-5mm-0.6WL | 1441                             | 24                    |       | 0.60                     | 15                  | 1.5:1 | 5         | 0.6       | B          |
| RLEI-1560-1590M-5mm-0.6WL | 1575                             | 30                    |       | 0.60                     | 15                  | 1.5:1 | 5         | 0.6       | B          |
| RLEI-1645-1675M-5mm-0.6WL | 1660                             | 30                    |       | 0.60                     | 15                  | 1.5:1 | 5         | 0.6       | B          |
| RLEI-1710-1785M-5mm-0.6WL | 1747.5                           | 75                    | DCS   | 0.65                     | 13                  | 1.6:1 | 5         | 0.6       | B          |
| RLEI-1750-1780M-5mm-0.6WL | 1765                             | 30                    | K-PCS | 0.60                     | 15                  | 1.5:1 | 5         | 0.6       | B          |
| RLEI-1805-1880M-5mm-0.6WL | 1845.5                           | 75                    | DCS   | 0.60                     | 15                  | 1.5:1 | 5         | 1         | B          |

**RLEI**

**Specifications may be subject to change**

**12/11/04**

WORLD HQ: 1702H Meridian Ave. Suite 127, San Jose, Ca 95125, U.S.A.

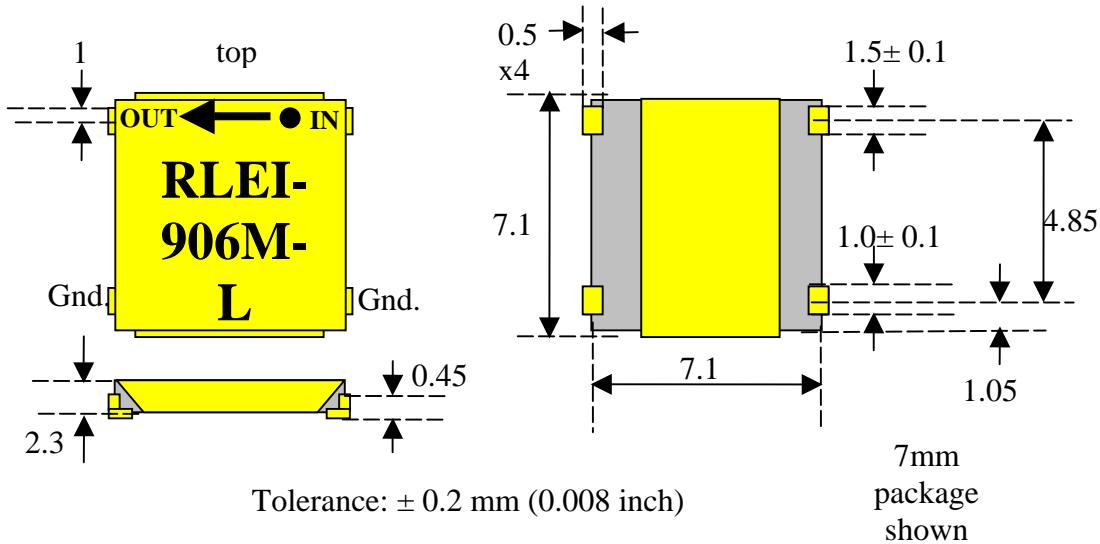
Telephone: (408) 266-7404 FAX: (408) 266-4483

WEB: [www.raditek.com](http://www.raditek.com), E-mail: [sales@raditek.com](mailto:sales@raditek.com)

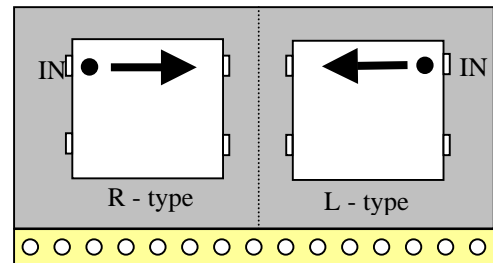
# RADITEK INC.

|                                  |             |           |               |             |           |              |          |            |          |
|----------------------------------|-------------|-----------|---------------|-------------|-----------|--------------|----------|------------|----------|
| RLEI-1840-1870M-5mm-0.6WL        | 1855        | 30        | K-PCS         | 0.60        | 15        | 1.5:1        | 5        | 0.6        | B        |
| RLEI-1850-1910M-5mm-0.6WL        | 1880        | 60        | US-PCS        | 0.60        | 15        | 1.5:1        | 5        | 0.6        | B        |
| RLEI-1890-1920M-5mm-0.6WL        | 1905        | 30        | US-PCS        | 0.60        | 15        | 1.5:1*       | 5        | 0.6        | B        |
| RLEI-1900-1915M-5mm-0.6WL        | 1907        | 60        | US-PCS        | 0.60        | 15        | 1.5:1*       | 5        | 0.6        | B        |
| RLEI-1900-2000M-5mm-0.6WL        | 1950        | 100       |               | 0.70        | 12        | 1.6:1        | 2.5      | 0.6        | B        |
| RLEI-1920-1980M-5mm-0.6WL        | 1950        | 60        | US-PCS        | 0.60        | 15        | 1.5:1        | 5        | 0.6        | B        |
| RLEI-1930-1990M-5mm-0.6WL        | 1960        | 60        | W-CDMA        | 0.60        | 15        | 1.5:1        | 5        | 0.6        | B        |
| RLEI-2090-2190M-5mm-0.6WL        | 2140        | 100       | W-CDMA        | 0.75        | 13        | 1.5:1        | 5        | 0.6        | B        |
| <b>RLEI-2110-2170M-5mm-0.6WL</b> | <b>2140</b> | <b>60</b> | <b>W-CDMA</b> | <b>0.60</b> | <b>15</b> | <b>1.5:1</b> | <b>5</b> | <b>0.6</b> | <b>B</b> |
| RLEI-2200-2300M-5mm-0.6WL        | 2250        | 100       | W-LAN         | 0.70        | 12        | 1.6:1        | 5        | 0.6        | B        |
| RLEI-2250-2350M-5mm-0.6WL        | 2300        | 100       | US-PCS        | 0.75        | 15        | 1.5:1        | 5        | 0.6        | B        |
| RLEI-2315-2385M-5mm-0.6WL        | 2350        | 100       | W-LAN         | 0.70        | 12        | 1.6:1        | 2.5      | 0.6        | B        |
| RLEI-2400-2500M-5mm-0.6WL        | 2450        | 100       | W-LAN         | 0.60        | 12        | 1.6:1        | 2.5      | 0.6        | B        |
| RLEI-2410-2470M-5mm-0.6WL        | 2440        | 60        | W-LAN         | 0.60        | 15        | 1.5:1        | 2.5      | 0.6        | B        |
| RLEI-2500-2800M-5mm-0.6WL        | 2645        | 60        | W-LAN         | 1.1         | 9         | 2.1:1        | 2.5      | 0.6        | B        |

\*1.3 VSWR available on special order



**Packing:** Tape and reel (2500 per reel minimum order).  
**Operating temperature:** -40 to +85 °C.  
**Survive 250 °C for 30 seconds (for Reflow process).**  
**Power Forward 5.0W /**  
**Power Reverse 1.0W**



**Specifications: Order as: RLEI-frequency (MHz) -7mm (size) (1 Options):**

| Part # | Center Frequency (MHz) as marked on part | Full Band width (MHz) | Band | Insertion loss dB (max.) | Isolation dB (min.) | VSWR | Forward Power | Reverse Power |
|--------|--|-----------------------|------|--------------------------|---------------------|------|---------------|---------------|
|        |  |                       |      |                          |                     |      |               |               |

RLEI

Specifications may be subject to change

12/11/04

WORLD HQ: 1702H Meridian Ave. Suite 127, San Jose, Ca 95125, U.S.A.

Telephone: (408) 266-7404 FAX: (408) 266-4483

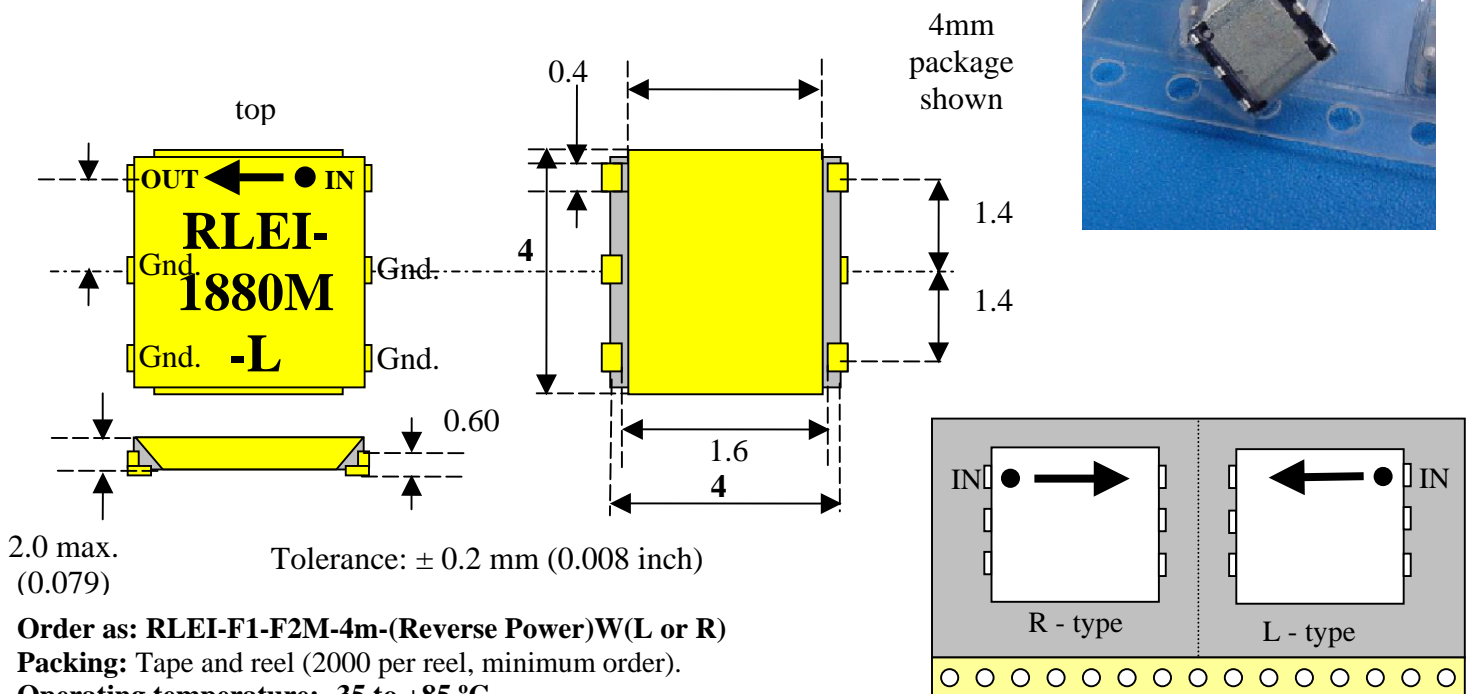
WEB: [www.raditek.com](http://www.raditek.com), E-mail: [sales@raditek.com](mailto:sales@raditek.com)

# RADITEK INC.

|                        |       |    |      |      |    |       |     |     |
|------------------------|-------|----|------|------|----|-------|-----|-----|
| RLEI-824-849M-7mm-1WL  | 836.5 | 25 | CDMA | 0.65 | 15 | 1.5:1 | 5.0 | 1.0 |
| RLEI-869-894M-7mm-1WL  | 881.5 | 25 | CDMA | 0.65 | 15 | 1.5:1 | 5.0 | 1.0 |
| RLEI-880-915M-7mm-1WL  | 897.5 | 35 |      | 0.65 | 13 | 1.6:1 | 5.0 | 1.0 |
| RLEI-887-925M-7mm-1WL  | 906   | 38 | EGSM | 0.65 | 13 | 1.6:1 | 5.0 | 1.0 |
| RLEI-890-915M-7mm-1WL  | 902.5 | 25 | GSM  | 0.65 | 15 | 1.5:1 | 5.0 | 1.0 |
| RLEI-900-930M-7mm-1WL  | 915   | 30 |      | 0.70 | 13 | 1.4:1 | 5.0 | 1.0 |
| RLEI-925-960M-7mm-1WL  | 942   | 35 |      | 0.65 | 15 | 1.5:1 | 5.0 | 1.0 |
| RLEI-930-960M-7mm-1WL  | 945   | 30 |      | 0.65 | 15 | 1.5:1 | 5.0 | 1.0 |
| RLEI-1850-1910-7mm-1WL | 1880  | 60 |      | 0.6  | 15 | 1.3:1 | 5.0 | 1.0 |
| RLEI-1890-1920-7mm-1WL | 1905  | 30 |      |      |    |       | 5.0 | 1.0 |
| RLEI-1920-1980-7mm-1WL | 1950  | 60 |      | 0.6  | 15 | 1.3:1 | 5.0 | 1.0 |
| RLEI-1930-1990-7mm-1WL | 1960  | 60 |      | 0.6  | 15 | 1.3:1 | 5.0 | 1.0 |

Standard Packaging is 5X5 2000EA, 7X7 2500EA

## LUMPED ELEMENT ISOLATORS 4x4 mm in lots of 2000



Order as: RLEI-F1-F2M-4m-(Reverse Power)W(L or R)

Packing: Tape and reel (2000 per reel, minimum order).

Operating temperature: -35 to +85 °C.

Survive 250 °C for 30 seconds (for Reflow process).

**Power Forward 2.5/5.0W-----Power Reverse 0.6/1.0W**

Specifications: Order as: RLEI-frequency (MHz) -4mm (size) (1 Options):

# RADITEK INC.

| Part #                    | Center Frequency (MHz) as marked | Full Band width (MHz) | Band   | Insertion loss dB (max.) | Isolation dB (min.) | VSWR  | Fwd Power | Rev Power | Foot Print |
|---------------------------|----------------------------------|-----------------------|--------|--------------------------|---------------------|-------|-----------|-----------|------------|
| RLEI-824-849M-4mm-0.6WL   | 836.5                            | 25                    | CDMA   | 0.7                      | 13                  | 1.5:1 | 2.5       | 0.6       | A          |
| RLEI-1850-1910M-4mm-0.6WL | 1880                             | 60                    | US-PCS | 0.60                     | 15                  | 1.5:1 | 5         | 0.6       | B          |