

CELLULAR

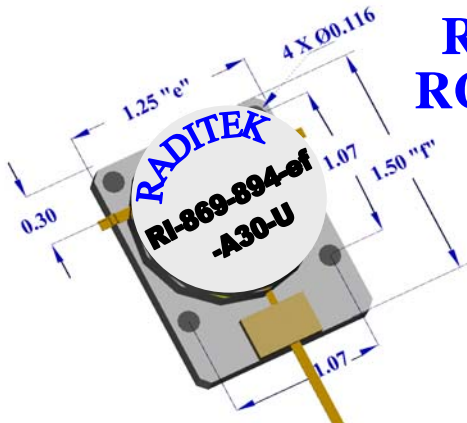
CELLULAR

RADITEK

Ultra Low IMD for Cellular RI-C8-ef-A20-U isolator RC-C8-ee-A20-U circulator



Ceramic top
Magnet

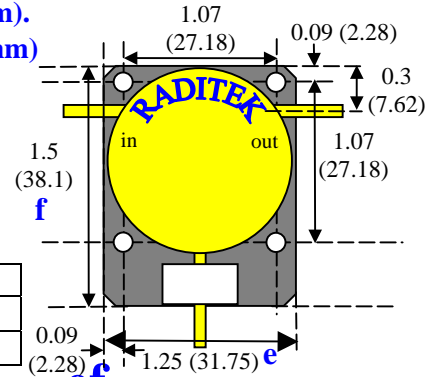


Attenuator load option
20dB or 30 dB

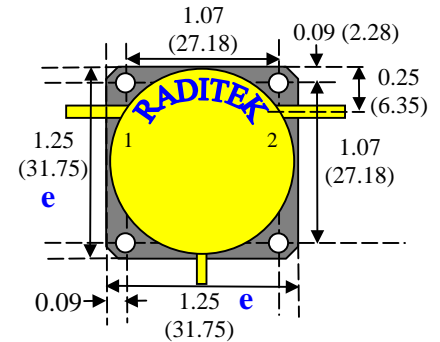
Circuit Tab height: 0.125" (3.18mm).
Overall height: <0.55 (14mm) (incl. magnet).
Flange Thickness: 0.25" (6.36 mm).
Mounting holes Ø: 0.116" (2.95mm)
Circuit tab details:

Unit	Length	Width dd/de	Thickness
Inch	0.10	0.05	0.005
mm	2.29	1.4	0.13

Tolerance	.XX	.XXX
Inch	±0.02	±0.010
mm	±0.5	±0.25



ef Isolator inch (mm)
(Shown with attenuator/load)



ee Circulator (Load must have
<-30 dB return loss for good IMD)

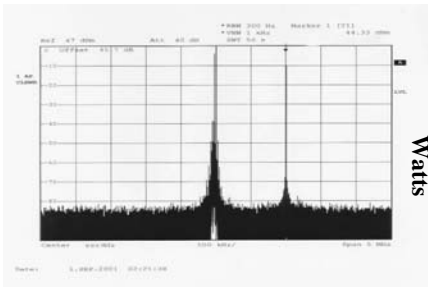
Circuit Tabs can be bent flush with base

Standard specification examples:

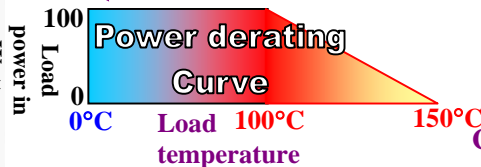
Frequency MHz (F1-F2)	Ins. Loss dB	ISO. dB	Ret. Loss:	VSWR
800-840	0.25, 0.15 typ.	23, 25dB typ.	23	1.15:1
820-850	0.25, 0.15 typ.	23, 25dB typ.	23	1.15:1
869-894	0.25, 0.15 typ.	23, 25dB typ.	23	1.15:1
935-960	0.25, 0.15 typ.	23, 25dB typ.	23	1.15:1

Order as: **RI- F1-F2-ef-100WR-A20-U**(example)

Direction of RF:	
R	default →
L	←



2 x 50W tones, 1 MHz apart at 880 MHz

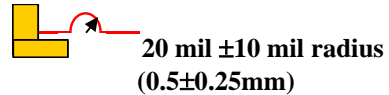


General specifications:		
Max. Fwd power:	250 Watts	Average
Max. Rev power(avg): (Load rating)	110 Watts	Assumes infinite heat sink Load temp to be kept < 85°C
Peak Power handling	1200 Watts	
Operating temp.	-20°C to 85°C	-54°C to 110°C storage

Specification Options:

Attenuator type	-A20; -A30	20 dB or 30 dB @ 100W
-----------------	------------	-----------------------

Standard ee/ef strain relief.



Machined surface: ⁶³√
Housings are made from
Steel & Aluminum, Magnetically shielded,
and Silver plated.

Additional Specs for e models

Frequ. MHz	BW %	Insertion Loss dB Max.	Isolation Minimum dB	Return Loss dB	VSWR All ports	@ Temp	
660-710		0.5	21	21		-40 80C	TBD
710-790		0.4	21	21			
747-767		0.25	22	1.20	1.19	full	
790-810		0.25	22	22	1.19	full	
800-1200		0.5	18	18		-40 to 80C	
810-915	12.96	0.45	18		1.30	-20 to 85C	0.3/20/1.20 @ RT
820-870M		0.25	22	22	1.19	full	
840-900		0.3	22	22	1.19	full	
851-894		0.25	22	22	1.19	full	
851-866		0.25	22	22	1.19	full	
860-915		0.30	22	21	1.20		
865-900		0.35	22		1.22	0 to 85C	
850-900		0.30	20	21	1.20		
880-915		0.25	22	21	1.19:1		
900-980		0.40	20	21	1.20	-15 to +90C	
920-960	4	0.25	22	22	1.19	full	
925-960	4	0.25	22	22	1.19	full	
947-960		0.25	22	22	1.19	full	
950-1250	31.6	0.8	16		1.5	full	

WORLD HQ: 1702H Meridian Ave. Suite 127, San Jose, Ca 95125, U.S.A.

Telephone: (408) 266-7404 FAX: (408) 266-4483

WEB: www.raditek.com, E-mail: sales@raditek.com