

DCS PCS UMTS

Cellular

RADITEK

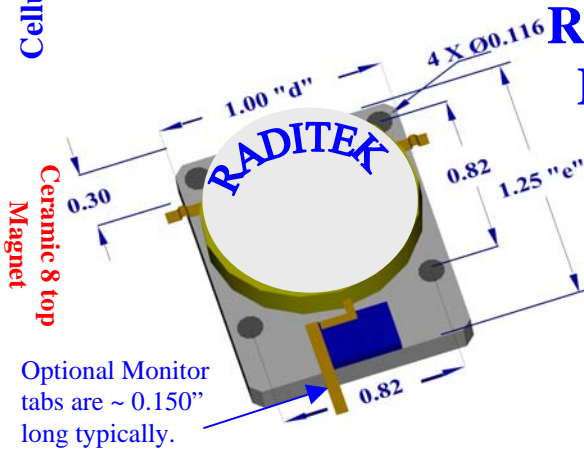
RI-C10-de isolator-A30 RC-C10-dd circulator

Circuit Tab height: 0.15" (3.8mm).

Overall height: <0.6 (15.2mm) (incl. magnet).

Flange Thickness: 0.125" (3.18mm).

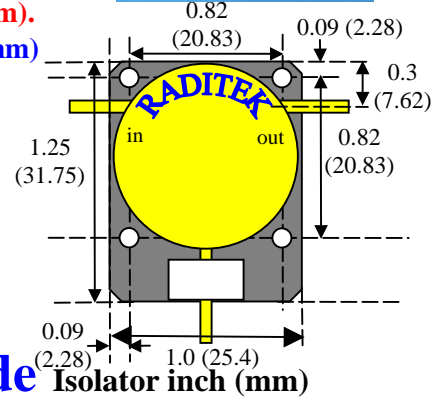
Mounting holes Ø: 0.116" (2.95mm)



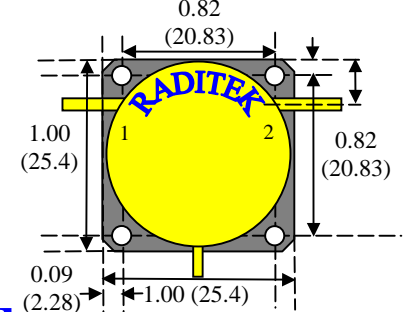
Optional Monitor tabs are ~ 0.150" long typically.

Circuit tab details:

Unit	Length	Width dd/de	Thickness
Inch	0.09	0.05	0.005
mm	2.29	1.4	0.13



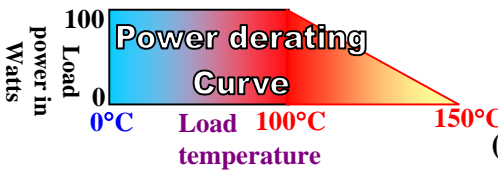
de Isolator inch (mm)
(Shown with attenuator/load)



dd Circulator
(Also for 10Watt isolator)

Attenuator load option
20dB or 30 dB 100W

Circulators (RC-C10-) all have
300Watt forward power.

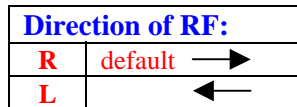


Standard specification examples:

Above 2GHz express frequency in GHz, otherwise MHz.

Frequency MHz F1-F2	Insertion Loss dB Max.	Isolation Minimum dB	Return Loss dB	VSWR All ports	BAND F1-F2
869-894	0.25 (0.15typ.)	24 (25 typ.)	23	1.15:1	Cellular
1.93-1.99G	0.3 (0.2typ.)	24	23	1.15:1	PCS
2.1-2.17G	0.3 (0.2typ.)	24	23	1.15:1	UMTS

Tolerance	.XX	.XXX
Inch	±0.02	±0.010
mm	±0.5	±0.25



Order as: **RI-C10-F1-F2-de-110W-R** See power derating curve for reverse power handling **RC-C10-F1-F2-**

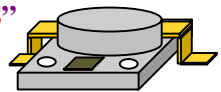
General specifications to 2.5 GHz:

Max. Fwd power:	300 Watts	Average
Max. Rev power (avg): (Load rating)	110 Watts load 100W attenuator 10W (option)	Assumes infinite heat sink Load temp to be kept < 85°C
Peak Power handling	1200 Watts	
Operating temp.	-20°C to 85°C	-54°C to 220°C storage

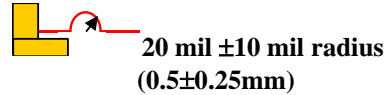
Specification Options:

Attenuator type	-A20; -A30	20 dB or 30 dB
Surface mount	-S	Tab is level with base
Special	-Z	Tab ht. is 62 mils (1.58 mm)
Reflow using regular SN 62/63	-SR	Solder reflow type
Low Intermodulation. See the RI-ef-U models for very best IMD performance	-H	Optimized for best IMD for its size. Typ.: <-70dBc, 2 x 35W tones, typically.

Circuit Tabs can be bent flush with base for surface mounting "option S"



Standard dd/de strain relief.



Machined surface: ⁶³√

Housings are made from Steel & Aluminum, Magnetically shielded, and Silver plated.

WORLD HQ: 1702H Meridian Ave. Suite 127, San Jose, Ca 95125, U.S.A.

Telephone: (408) 266-7404 FAX: (408) 266-4483

WEB: www.raditek.com, E-mail: sales@raditek.com

Additional Specs for d models

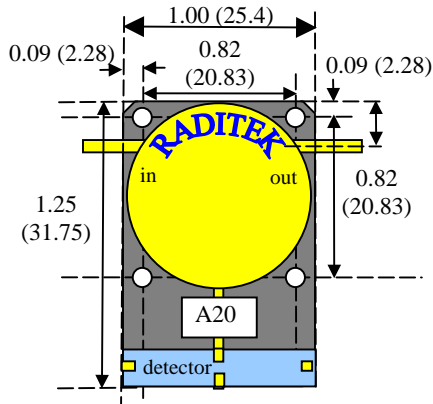
Frequ. MHz	BW %	Insertion Loss dB Max.	Isolation Minimum dB	Return Loss dB	VSWR All ports	@	
747-767		0.25	22	1.20	1.19	full	
790-810		0.25	22	22	1.19	full	
800-900		0.3	21	21	1.20	full	
810-915	12.96	0.45	18		1.30	-15 to 85C	0.3/20/1.20 @ RT
820-850		0.25	22	22	1.19		
824-849		0.25	23	22	1.19	-15 to 85C	
824-894		0.3	21	21	1.20	-15 to 85C	
840-900		0.25	23	22	1.19	full	
851-894		0.25	22	22	1.19	full	
851-866		0.25	22	22	1.19	full	
860-900		0.30	22	21	1.20	full	
860-904		0.30	22	21	1.20		
860-915		0.30	22	21	1.20		
865-900		0.35	22		1.22	0 to 85C	
850-900		0.30	20	21	1.20		
880-915		0.25	22	21	1.19:1		
880-960		0.3	21	21	1.20	full	
869-894		0.25	24	23	1.15:1	Cellular	
900-980		0.40	20	21	1.20	-15 to +90C	
910-970		0.35	21	21	1.20	full	
911-946		0.35	21	21	1.20	full	
920-960	4	0.25	22	22	1.19	full	
925-960	4	0.3	22	22	1.19	full	
935-940		0.23	22	22	1.17	full	
947-960		0.25	22	22	1.19	full	
950-1250	31.6	0.8	16		1.5	full	
1030-1090	12.96	0.3	20		1.20	-20 to 85C	
1180-1420		0.5	18		1.30	full	
1250-1350		0.45	18		1.30	full	
1200-1400		0.5	20		1.25	-55 to 85C	
1600-1660		0.3	22	21	1.19	full	0.3/25/1.19 @ room temp
1700-2000		0.4	19.2	19.2	1.25:1		
1700-2000		0.5	18	18	1.25:1		for -S (Surface Mount)
1750-1770		0.3	24	21	1.19:1		
1785-1805		0.3	24	21	1.19:1		
1800-1900		0.4	20		1.22:1		
1805-1880	4.0	0.3	22	21	1.19:1		
1830-1880		0.3	22		1.20		
1850-1910	3.2	0.3	24	21	1.19:1		
1900-2300		0.5	19.1	19.1			
1930-1990	3.1	0.3	24	21	1.19:1		
2090-2100	0.5	0.3	22	21	1.19:1		
2100-2170	3.3	0.3	24	21	1.19:1		
2270-2305		0.3	21	21			

WORLD HQ: 1702H Meridian Ave. Suite 127, San Jose, Ca 95125, U.S.A.

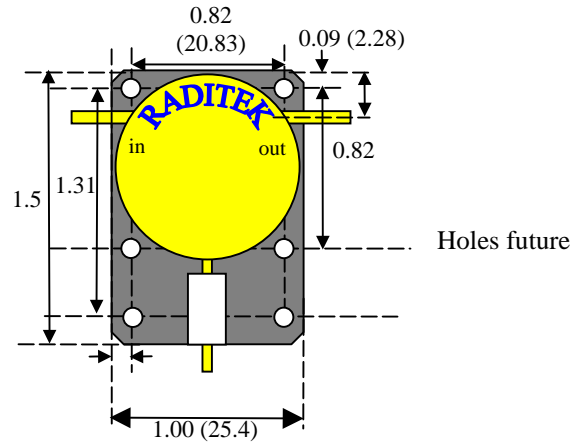
Telephone: (408) 266-7404 FAX: (408) 266-4483

WEB: www.raditek.com, E-mail: sales@raditek.com

2200-2300		0.5	20	20		
-----------	--	-----	----	----	--	--



df Isolator -det
 (Attenuator/Detector shown)
 1VDC+/-0.3 at 60W
 into a 20K ohm load



df Isolator
 (Attenuator/load shown)

WORLD HQ: 1702H Meridian Ave. Suite 127, San Jose, Ca 95125, U.S.A.

Telephone: (408) 266-7404 FAX: (408) 266-4483

WEB: www.raditek.com, E-mail: sales@raditek.com